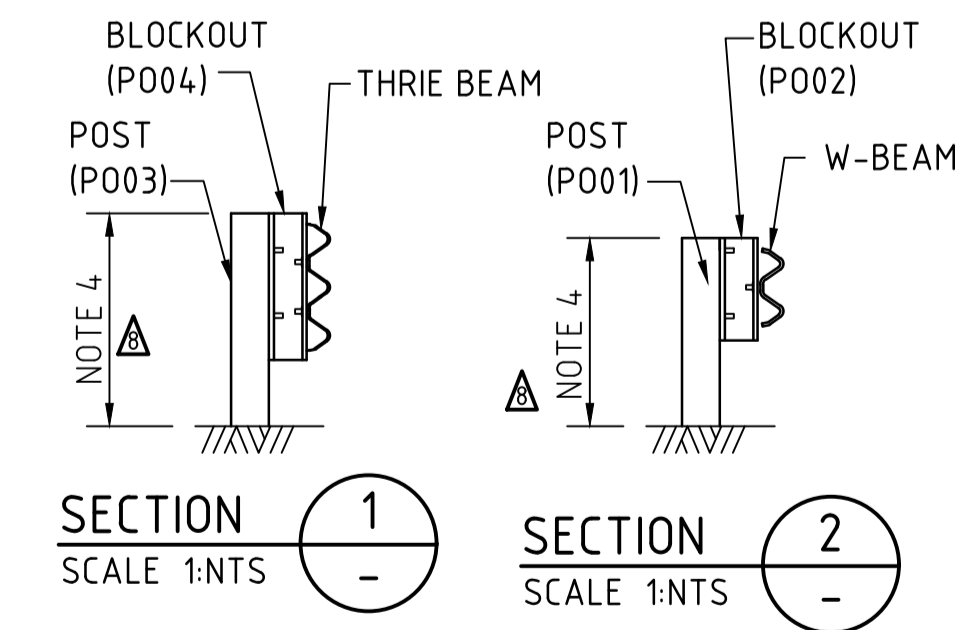
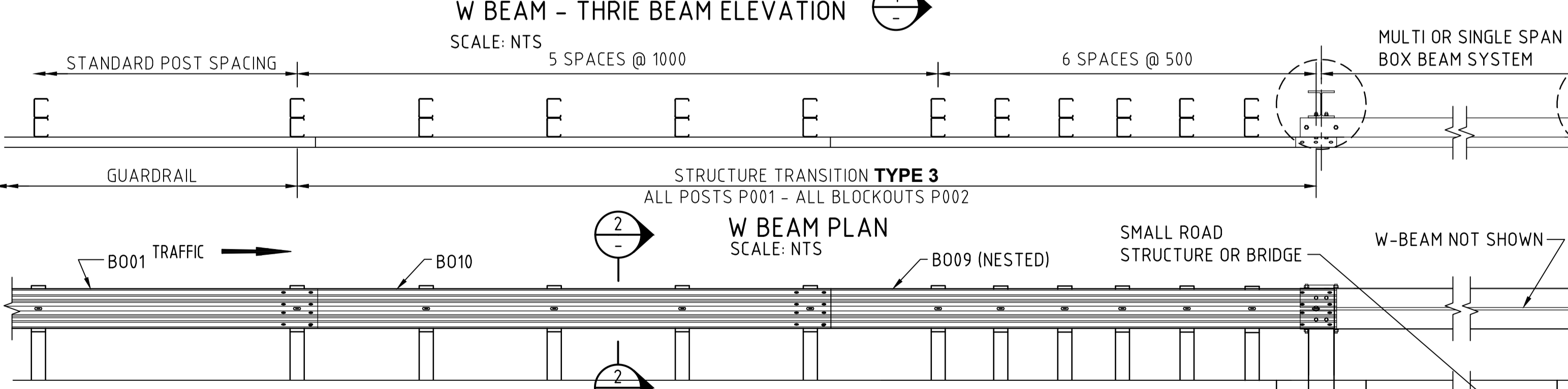


THRIE BEAM CONNECTION TO CONCRETE F-TYPE BARRIER, SINGLE SLOPE BARRIER SIMILAR



- NOTES**
- GENERAL**
1. RAIL LAP, POST AND BLOCKOUT ORIENTATION IN RELATION TO TRAFFIC DIRECTION AS SHOWN IS ESSENTIAL - REFER SHEET 36.
 2. STIFFENER PLATES SHALL BE USED AT POSTS WITHOUT RAIL LAP EXCEPT IN THE MELT.
 3. MODIFIED BLOCKOUTS P006/P007 (SEE SHEET 42) ARE USED FOR MODIFIED THRIE BEAM GUARDRAIL AS DETAILED ON SHEET 38. THESE BLOCKOUTS NOT TO BE USED IN THRIE BEAM TRANSITION.
 4. FOR HEIGHT OF POST ABOVE GROUND, REFER TO GD300 'APPROVED SAFETY BARRIER PRODUCT' AND SUPPLIERS PRODUCT MANUAL.
- △ SUPERSEDES DRG S-4050 SHEETS 29-35**

NO.	AMENDMENT DESCRIPTION	BY	CHECK	ACCEPTANCE	DATE
1	TITLE BLOCK UPDATE, NOTE 4 REPLACED, MELT TERMINAL PROFILE DELETED	JACOBS			30/10/20
2	CHAMFER ADDED TO CONCRETE BARRIER TYPE F	AP	PM	P MOLLOY	16/12/14
3	ELEVATION 3 TITLE CHANGE	AP	PM	X	19/12/13
4	P001, P002, P003 & P004 ADDED TO STRUCTURE TRANSITIONS	AP	PM	A NOBBS	29/9/11
5	CHANGES TO W-BEAM-THRIE BEAM PLAN	AP	PM	P D WILSON	18/9/09
6	NOTE ADDED	AP	PM	P WILSON	26/5/08
7	IDENTIFIER ADDED	AP	PD	G W CHAPLIN	4/8/05
8	SUPERSEDE NOTE ADDED	AP	PD	G W CHAPLIN	27/6/05

W BEAM ELEVATION
SCALE: NTS

100 MILLIMETRES ON ORIGINAL A1 DRAWING

ALL DIMENSIONS ARE IN MILLIMETRES UNLESS SHOWN OTHERWISE

UNCONTROLLED COPY WHEN PRINTED

DESIGNED
QUALIFICATION DATE: DD/MM/YYYY
REVIEWER

QUALIFICATION DATE: DD/MM/YYYY
INDEPENDENT DESIGN CERTIFIER (IF REQUIRED)

QUALIFICATION DATE: DD/MM/YYYY



STANDARD DRAWING
STEEL BEAM GUARDFENCE

INSTALLATION ADJACENT TO RIGID BARRIERS

DESIGNED: A.P. DRAFTED: DIT ACCEPTED FOR USE: G.W. CHAPLIN
CHECKED: A.P. REVIEWED: A.N. DATE: 06/08/2004

ACCEPTANCE FORM KNET No.: DRAWING No.: **S - 4050** SHEET No.: **37** AMEND No.: **8**
LATITUDE: LONGITUDE: