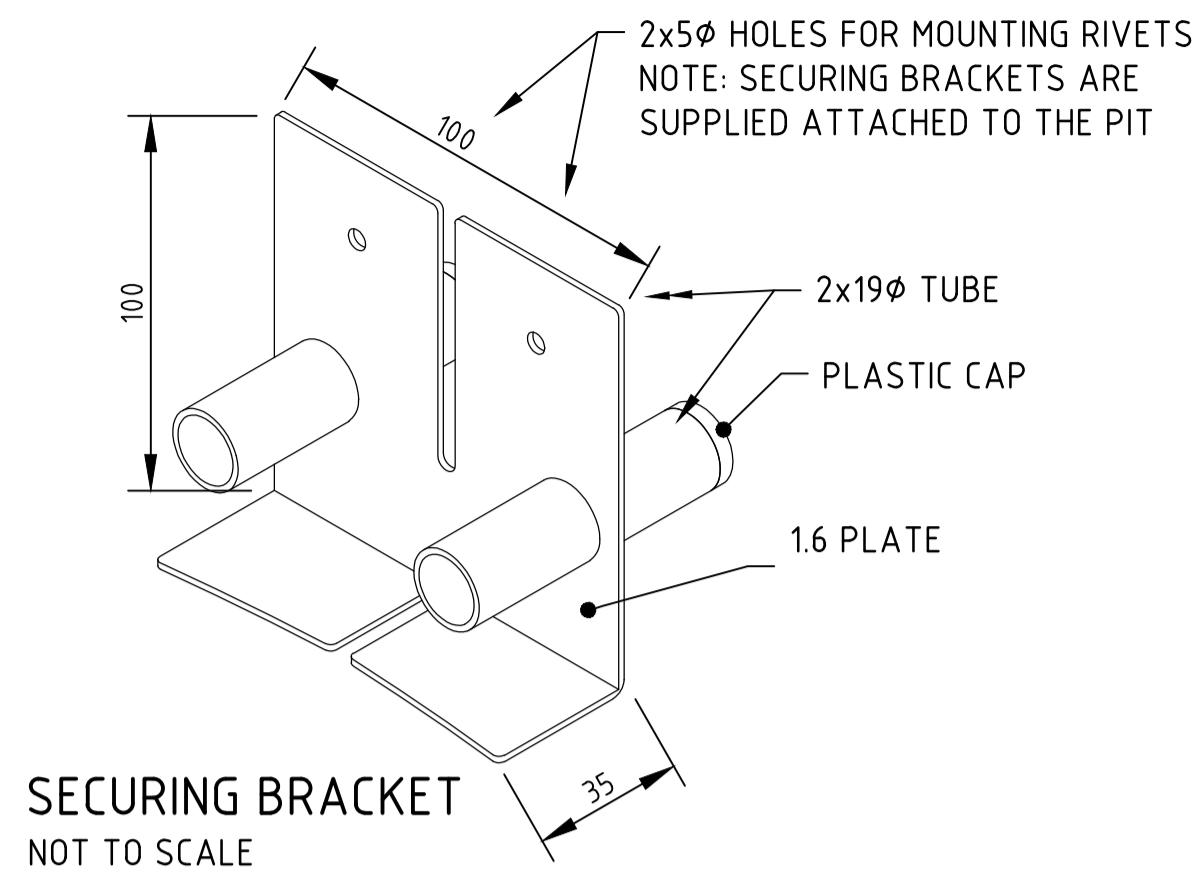


PIT TYPE	TYPICAL PIT DIMENSIONS (mm)					
	A	L	B	W	X	D
P1	472	419	195	155	45	360
P2	620	555	247	180	50	520
P3	730	665	296	240	55	577
P4	652	585	346	280	55	765
P5	650	580	405	320	55	575

NOTE: THESE DIMENSIONS ARE NOMINAL AND SHOULD BE CHECKED WITH ACTUAL PIT MANUFACTURERS SPECIFICATIONS

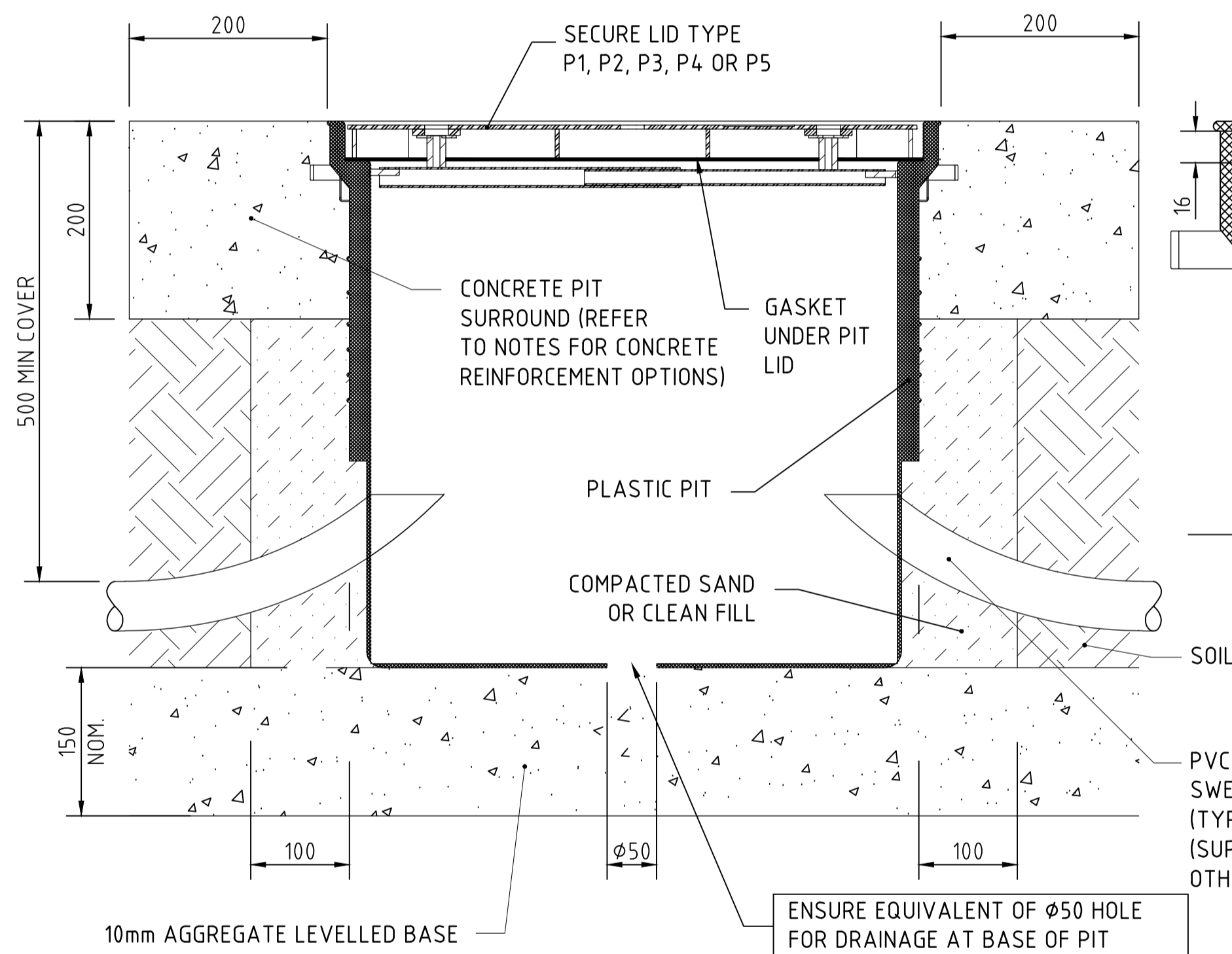


SECURING BRACKET
NOT TO SCALE

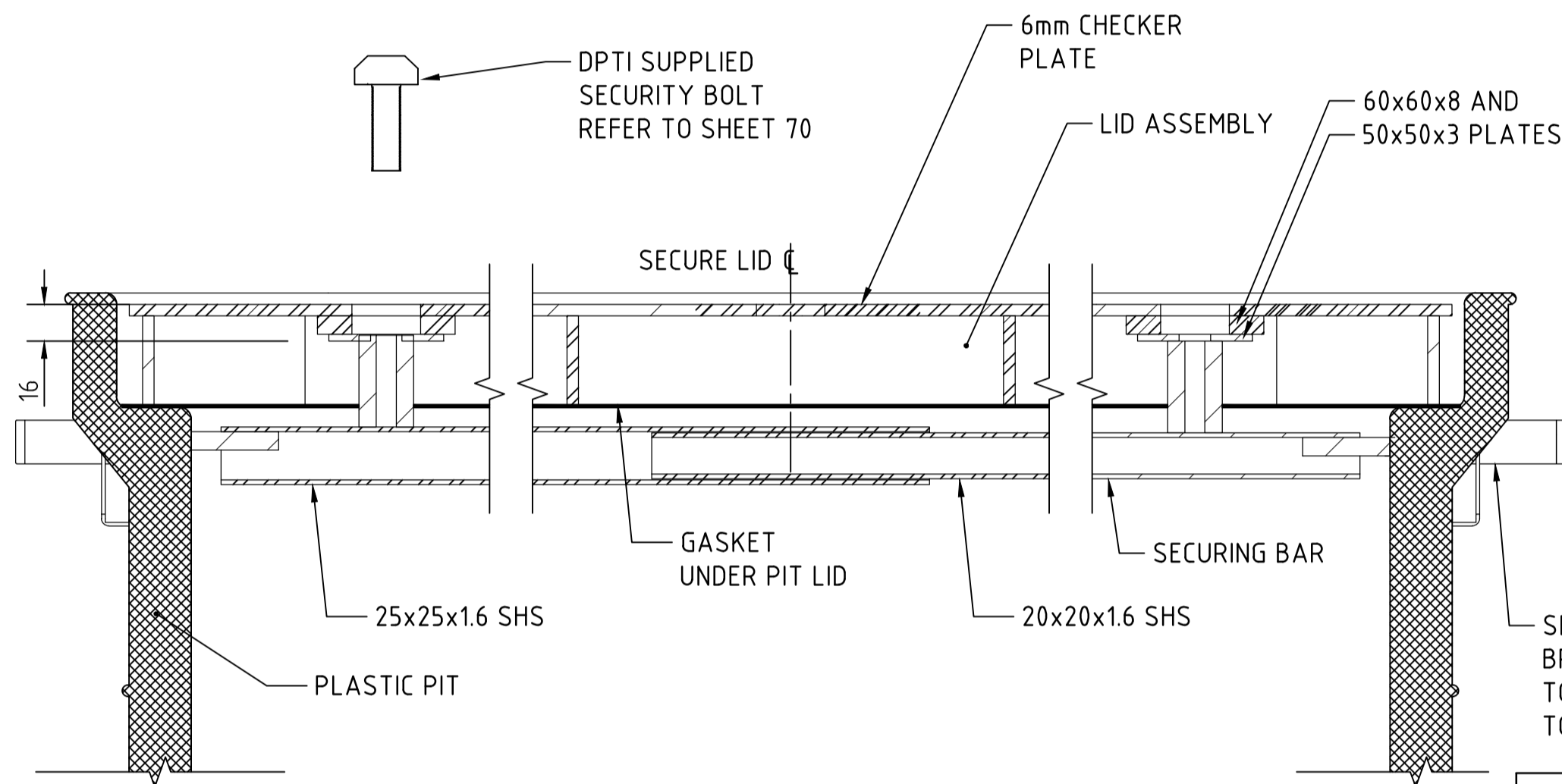
PLASTIC PIT (INJECTION TYPE) - DIMENSIONS

SCALE 1:10

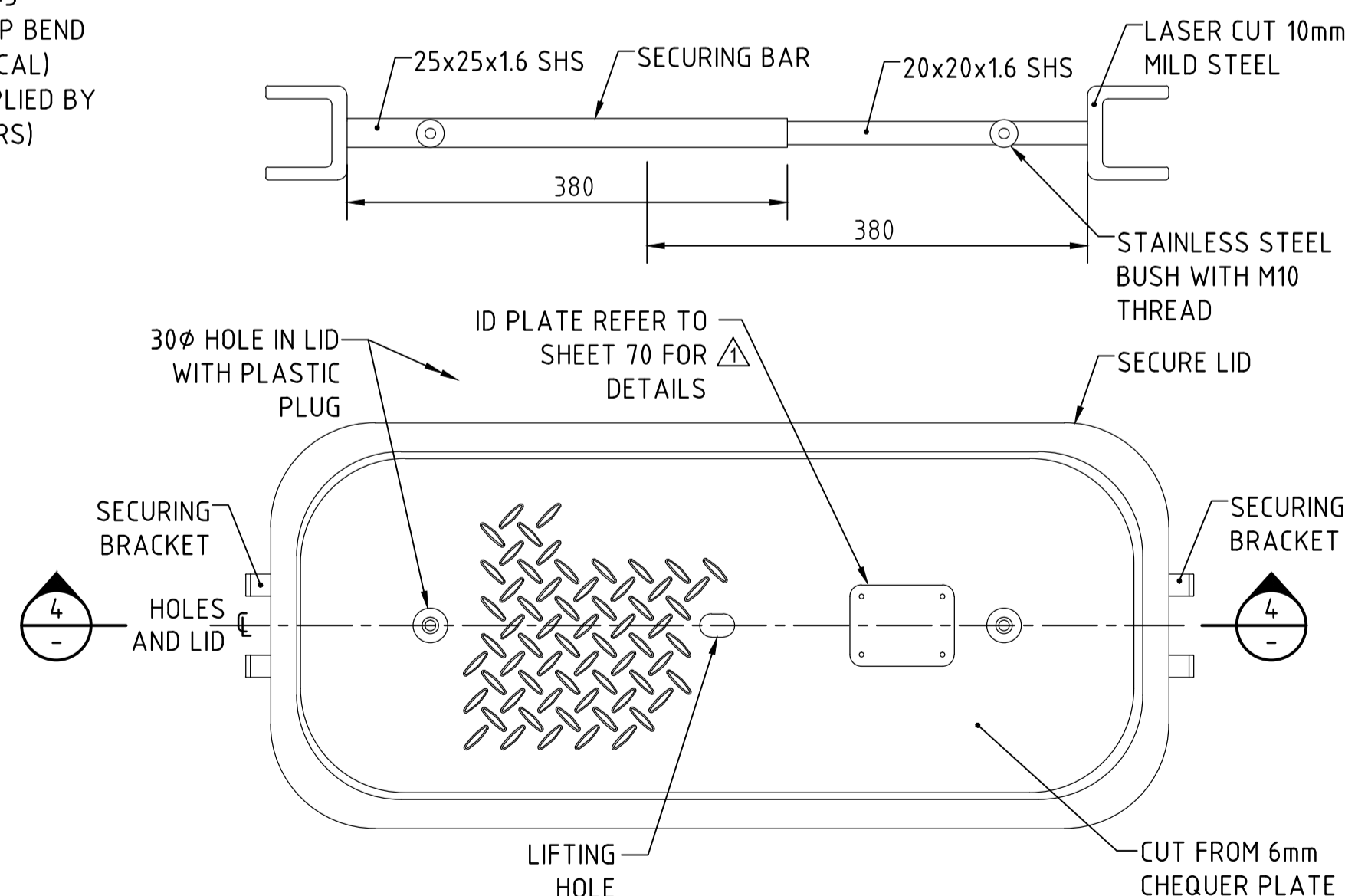
NOTE: PLASTIC PITS ARE COMMERCIALY AVAILABLE PRODUCT INSTALLED AS PER THIS DRAWING AND MANUFACTURER'S RECOMMENDATIONS.



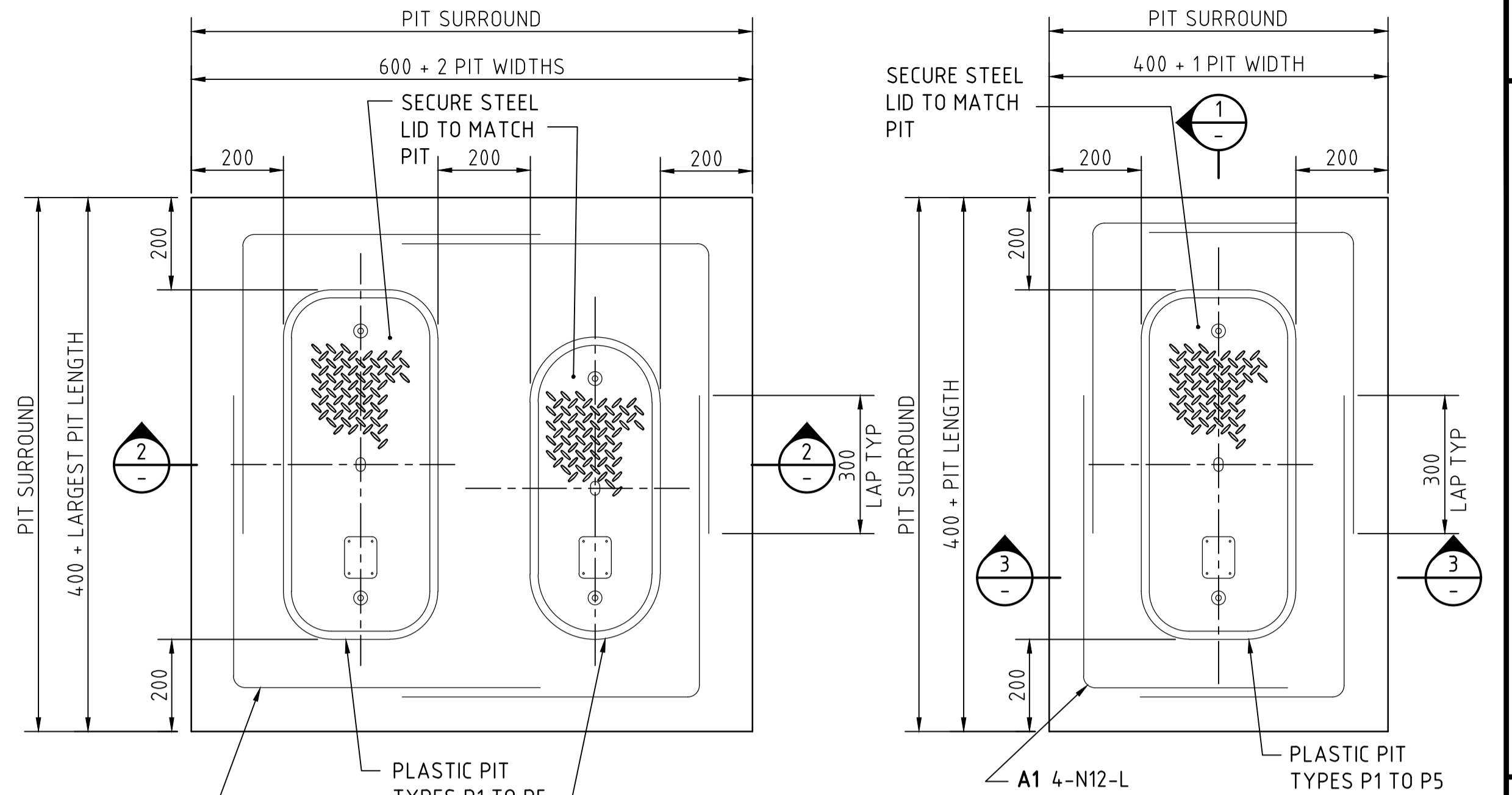
SECTION 1
SCALE 1:5



SECTION 4
SCALE 1:2



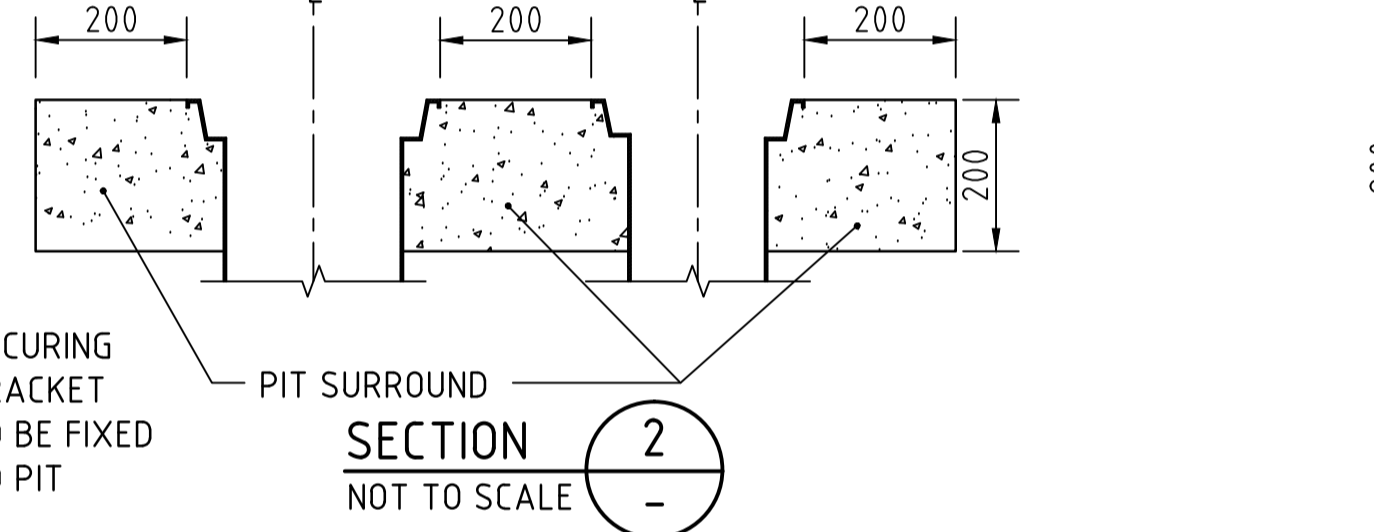
SECURE STEEL LID TYPE P3 AND SECURING BAR (TYPICAL)
SCALE 1:5
AS DRAWN FOR TYPE P3. OTHER LIDS SIMILAR
NOTE: LID SIZE TO BE MANUFACTURED TO SUIT APPROPRIATE PIT



REINFORCED CONCRETE PIT SURROUNDS - OPTIONS 1 AND 2
NOT TO SCALE

OPTION 1 - REINFORCEMENT BARS AS SHOWN.
OPTION 2 - FIBRE REINFORCEMENT (INSTEAD OF REINFORCEMENT BARS) - REFER TO NOTES.

DOUBLE PIT



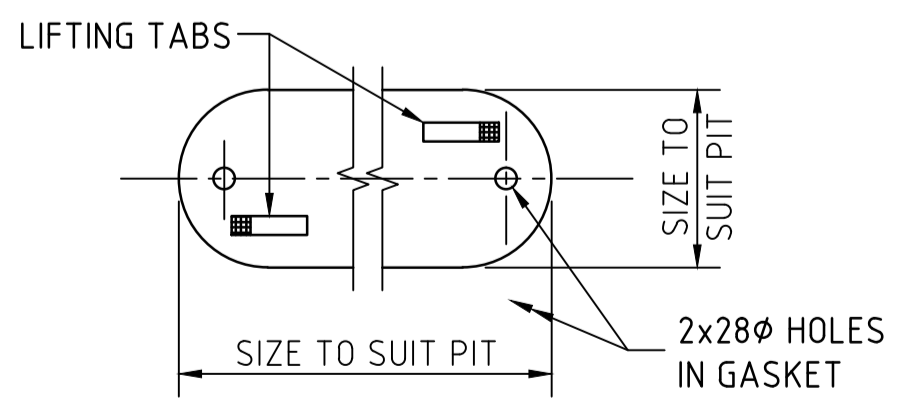
SECTION 2
SECTION 3
NOT TO SCALE

NOTES

- GENERAL**
- NOTES TO BE READ IN CONJUNCTION WITH DPTI MASTER SPECIFICATION.
 - REINFORCED CONCRETE SURROUND IS REQUIRED WITH ALL PIT INSTALLATIONS IRRESPECTIVE OF EXISTING GROUND SURFACE CONDITION.
 - BACKFILL AROUND PIT WITH SAND (REFER DPTI MASTER SPECIFICATION) & COMPACT TO 90% MODIFIED COMPACTION.
 - CONDUIT ENTRY SHALL BE SEALED INSIDE AND OUT WITH APPROVED SEALANT.
 - LIDS TO BE CLASS 'A' IN ACCORDANCE WITH AS 3996 CLAUSE 3.1.
 - ALL STEEL LIDS & COMPONENTS (UNLESS STAINLESS STEEL) SHALL BE HOT DIP GALVANISED AFTER FABRICATION IN ACCORDANCE WITH AS/NZS 4680.
 - SECURITY BOLTS & BUSHES TO BE STAINLESS STEEL, GRADE 316 BOLTS & 304 BUSHES. IN ACCORDANCE WITH AS 1449, UNLESS OTHERWISE APPROVED BY DPTI
 - LID CLASS TO BE PERMANENTLY LABELLED ON THE UNDERSIDE OF THE LID.
 - SIMILAR LID & SECURING MECHANISM IS SUBJECT TO DPTI APPROVAL
- REINFORCED CONCRETE SURROUND OPTIONS**
- OPTION 1 - REINFORCEMENT AS PER DETAIL ON THIS SHEET.
- COVER TO REINFORCEMENT: 100mm AGAINST SOIL & PIT.
 - MINIMUM LAP 25 DIA FOR 500N BARS, UNO.
 - REINFORCING BAR SHALL BE GRADE D500N IN ACCORDANCE WITH AS/NZS4671. STANDARD HOOKS AND BENDS SHALL BE IN ACCORDANCE WITH AS 3600.
 - CONCRETE SHALL BE GRADE N32 MINIMUM, WITH MAXIMUM SLUMP OF 80mm.
- OPTION 2 - FIBRE REINFORCEMENT
- CONCRETE SHALL BE IMPREGNATED WITH 'FORTA FERRO' OR ALTERNATIVE APPROVED FIBRE PRODUCED FROM 100% VIRGIN COPOLYMER/POLYPROPYLENE. DOSAGE RATE FOR 'FORTA FERRO' IS 5kg/m³ OF CONCRETE MIX. FIBRE TOUGHNESS RE 3% TO BE AT LEAST 40%.
 - CONCRETE SHALL BE GRADE N32 MINIMUM, WITH MAXIMUM SLUMP OF 80mm. THE CONCRETE MIX TO BE DESIGNED FOR SPECIFIC FIBRE USED.
- INSTALLATION OF LID**
- CAST PIT INCLUDING SECURING BRACKETS IN REINFORCED CONCRETE SURROUND
 - INSTALL SECURING BAR IN SECURING BRACKETS
 - INSTALL STEEL LID & SECURE IT WITH SECURITY BOLTS. COVER THE HOLES IN THE LID WITH PLASTIC PLUG.
 - SECURE BOLTS TO BE SUPPLIED BY DPTI. CONTRACTOR TO SUPPLY EQUIVALENT D-BOLTS.
 - ENSURE ANTI-SEIZE COMPOUND IS USED ON BOLT THREADS.

GASKET TO SUIT SECURED STEEL LIDS - TYPES P1 TO P5

NOTE: GASKET TO BE MADE FROM 3mm THICK CORFLUTE PLASTIC.



FILE: H:\04 - STANDARDS\4-055 - LIGHTING\4-055 Sheet 0067-AMD 1.dwg

NO.	AMENDMENT DESCRIPTION	BY	CHECK	ACCEPTANCE	DATE
1	SHEET NUMBER NOTE AMENDED NOTES UPDATED	MD	ED	S. PASCALE	5/4/16

100 MILLIMETRES ON ORIGINAL A1 DRAWING | ALL DIMENSIONS ARE IN MILLIMETRES UNLESS SHOWN OTHERWISE | UNCONTROLLED COPY WHEN PRINTED

THIS SHEET SUPERSEDES SHEETS 59 TO 62

<p>Government of South Australia</p> <p>Department of Planning, Transport and Infrastructure</p>	<p>STANDARD DRAWING</p> <p>ELECTRICAL ASSETS</p> <p>ELECTRICAL SERVICES AND COMMUNICATION</p>		<p>PLASTIC PITS AND SECURE STEEL LIDS CLASS A & SURROUNDS</p>	
	<p>DESIGNED: AP</p> <p>CHECKED: AP</p>	<p>DRAFTED: MD</p> <p>REVIEWED: PM</p>	<p>ACCEPTED FOR USE: PHIL MOLLOY</p> <p>MGR, ENGINEERING SERVICES</p> <p>DATE: 01/12/2015</p>	<p>ACCEPTANCE FORM KNET No.: 9973285</p>