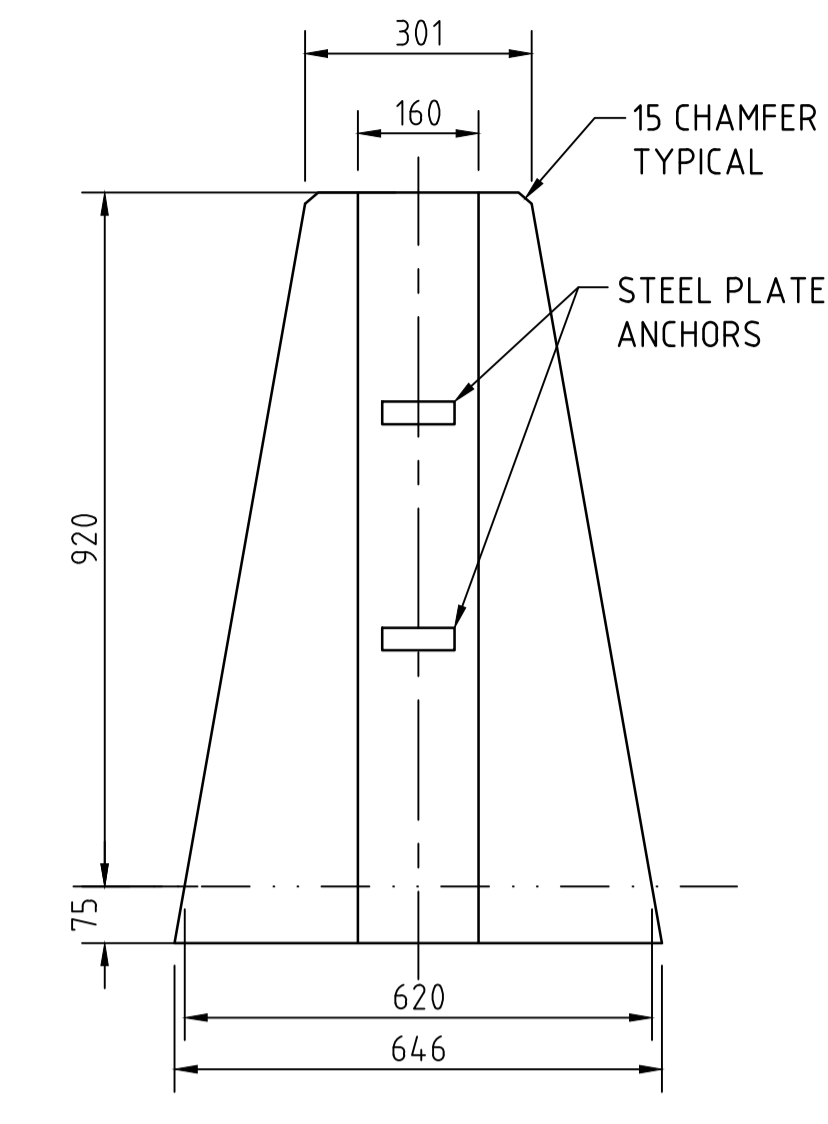
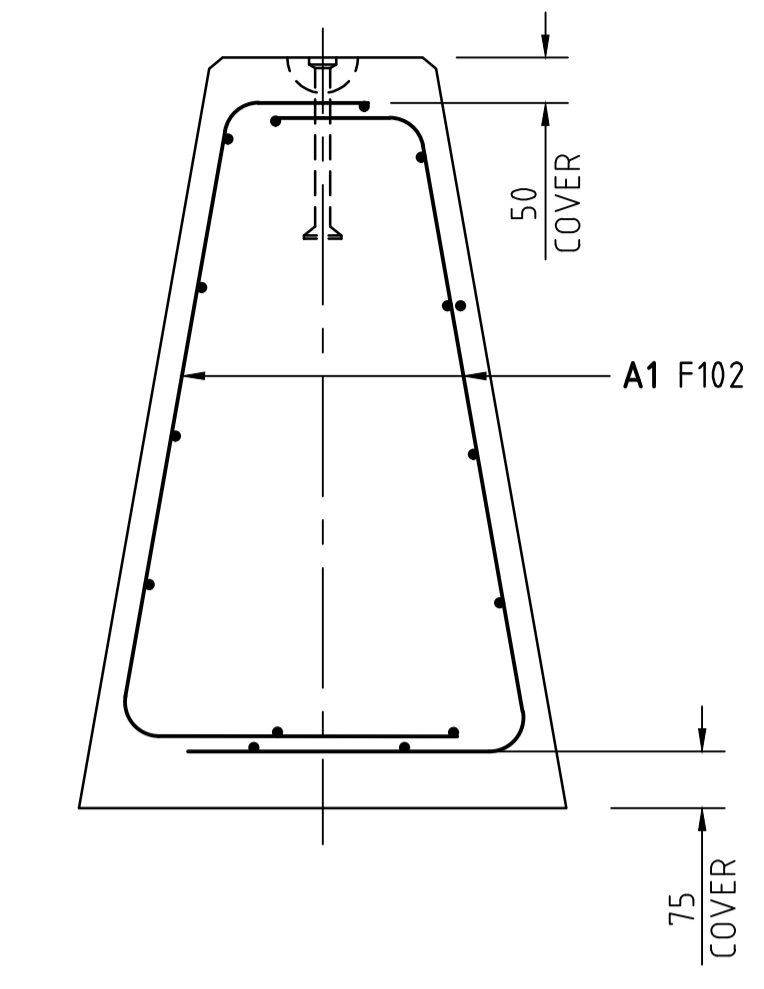


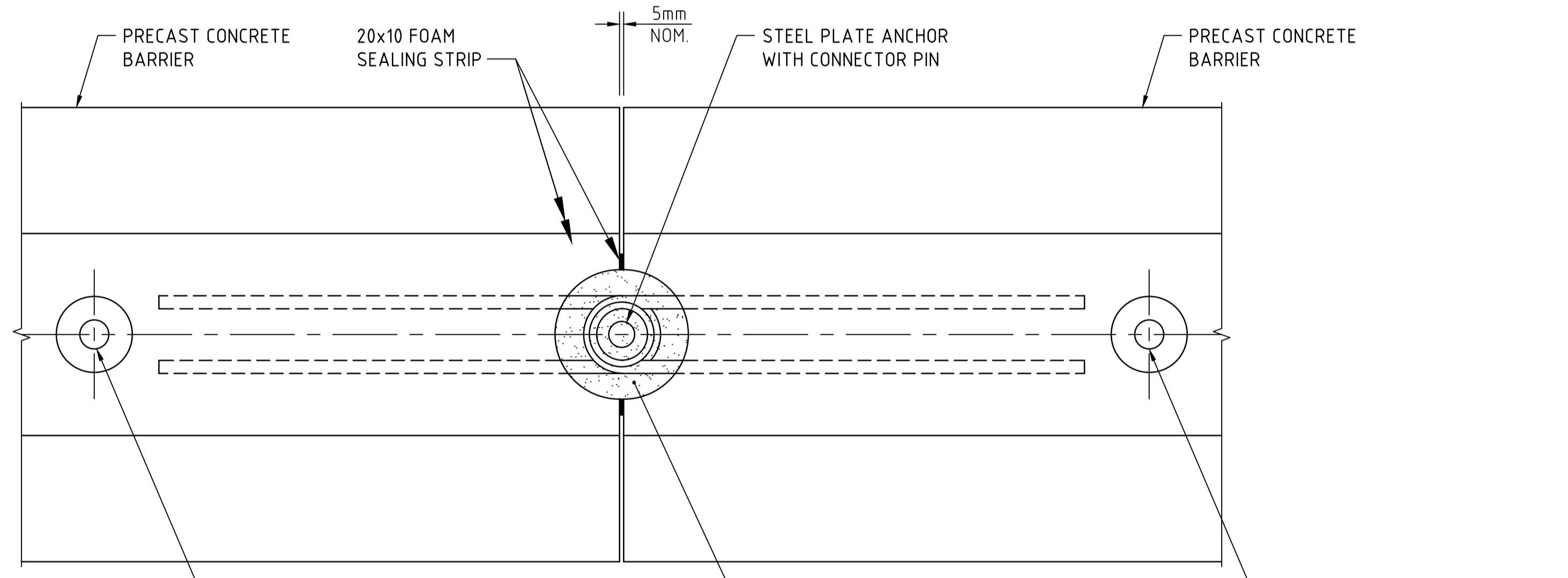
920mm HIGH ROAD CONCRETE BARRIER
SCALE 1:10



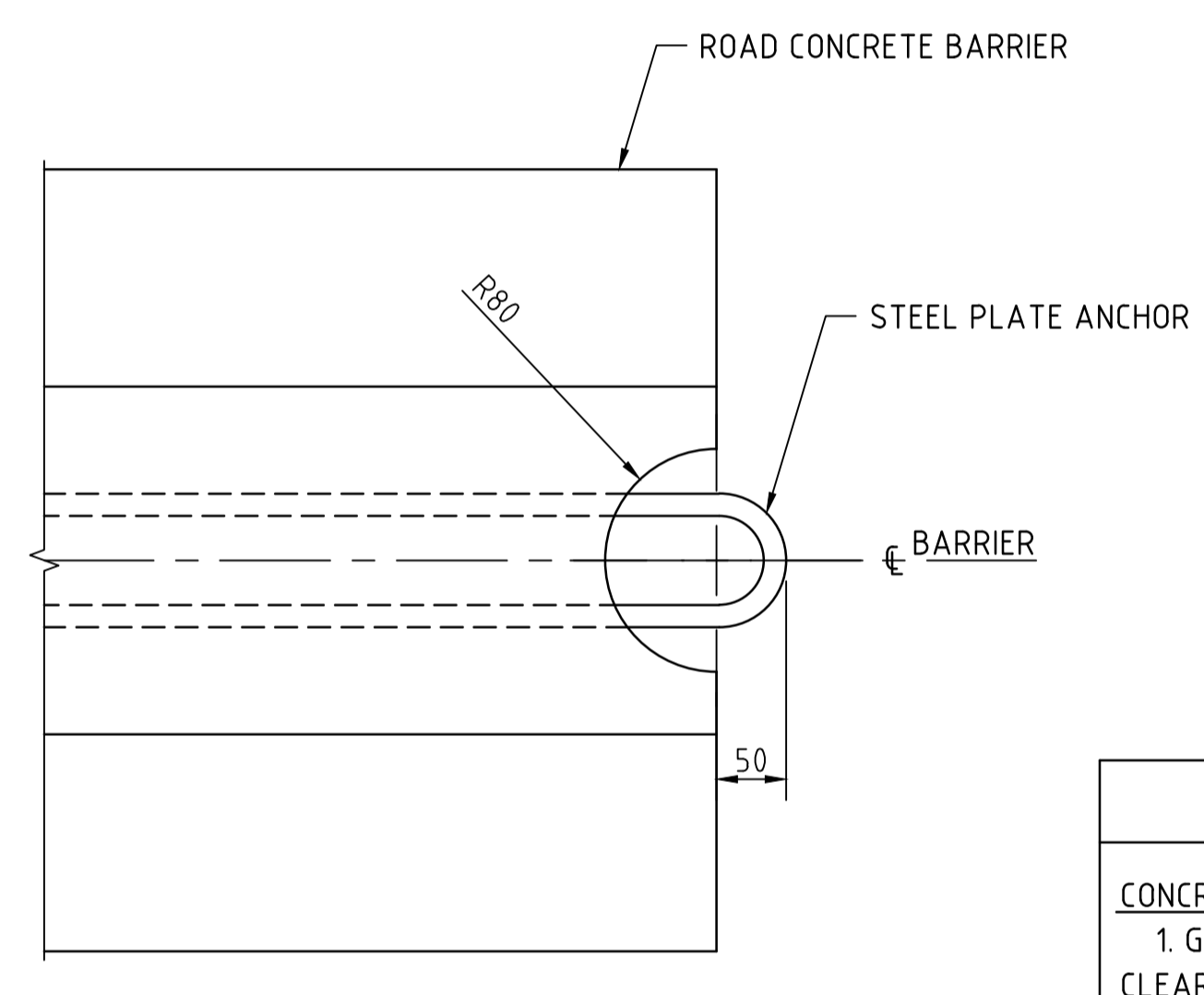
VIEW 1
SCALE 1:10



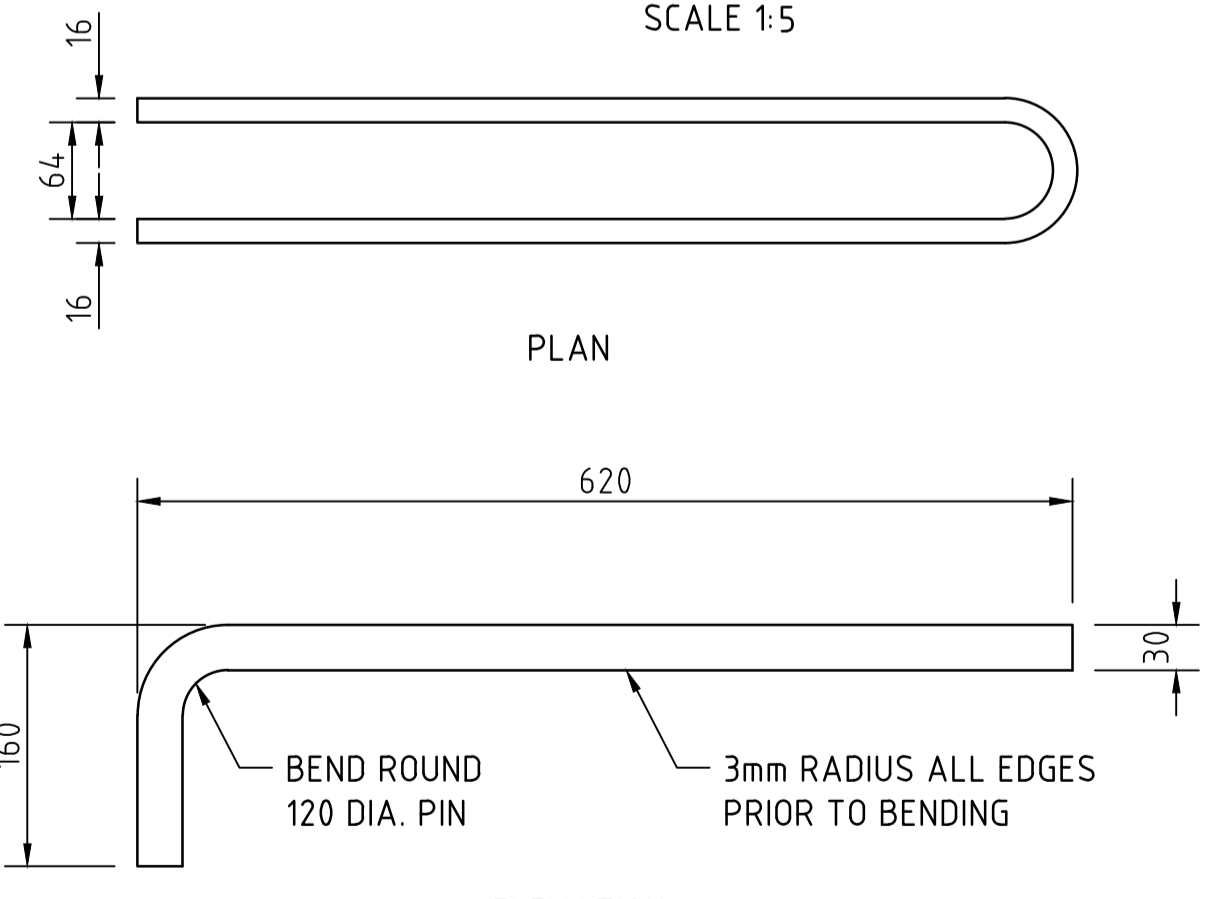
TYPICAL REINFORCEMENT
SCALE 1:10



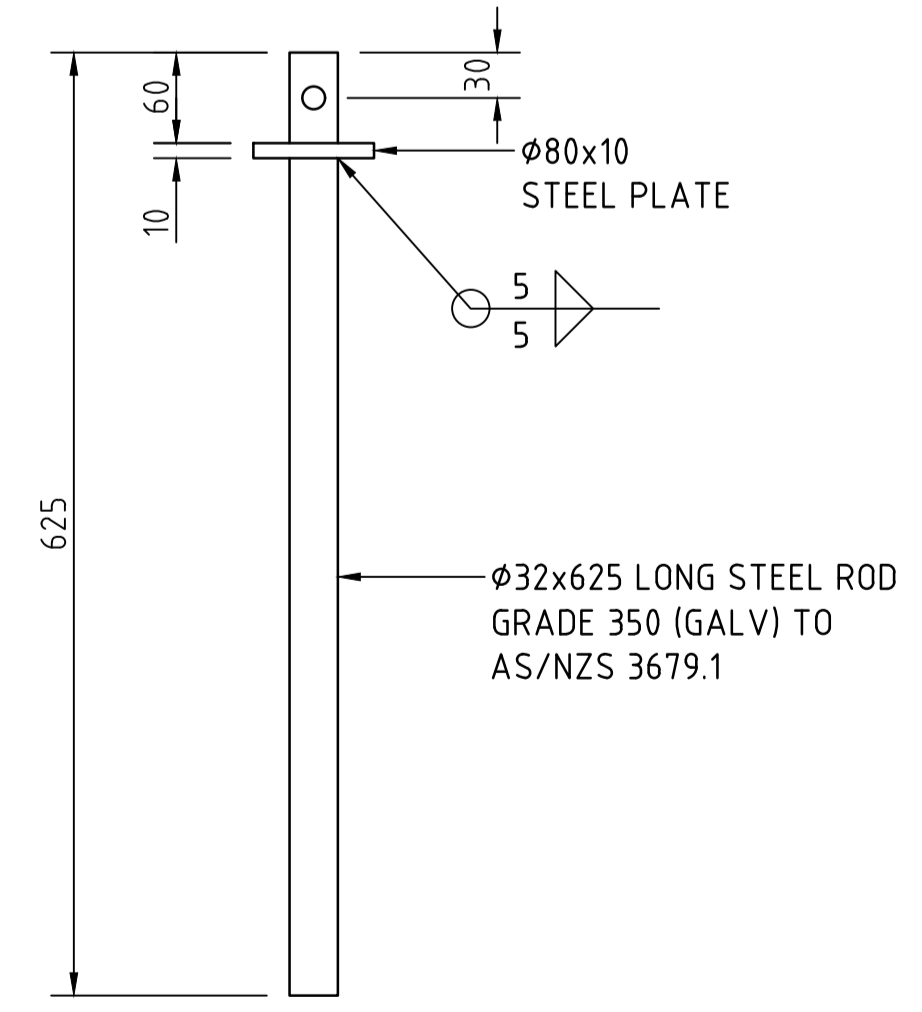
PLAN VIEW OF CONNECTION BETWEEN UNITS
SCALE 1:5



VIEW 2
SCALE 1:5



STEEL PLATE ANCHOR
SCALE 1:5



CONNECTING PIN
SCALE 1:5

NOTES

- CONCRETE**
1. GRADE S32 AS SPECIFIED IN DTEI SPECIFICATION.
- CLEAR COVER**
1. COVER TO BE 35mm, UNLESS OTHERWISE SHOWN.
- SURFACE FINISH**
1. CONCRETE FINISHES SHALL BE IN ACCORDANCE WITH AS 3610 CLASS 2.
- STEELWORK**
1. STEELWORK SHALL BE GRADE 350 AND COMPLY WITH AS/NZS 3678 UNLESS NOTED OTHERWISE, WELDING SHALL CONFORM TO AS/NZS 1554.1 2004.
- TRANSPORT AND HANDLING**
a) A SPREADER SHALL BE USED TO ENSURE THAT SLINGS ARE ALWAYS VERTICAL DURING LIFTING AND PLACING THE BARRIER UNITS.
b) BARRIER UNITS SHALL BE TRANSPORTED AND STORED ON TIMBER BEARERS POSITIONED UNDER LIFTING POINTS.
- LIFTING ANCHORS**
1. LIFTING ANCHORS SHALL BE HOT DIP GALVANIZED IN ACCORDANCE WITH AS/NZS 4680. APPROXIMATE WEIGHT OF BARRIER UNITS: 3.0t (MAY VARY ±20%)
- TOLERANCES & INSTALLATION**
1. REFER TO SHEET 3.
- TEST LEVEL**
1. TEST LEVELS (TL) NOTED ARE IN ACCORDANCE WITH THE MANUAL FOR ASSESSING SAFETY HARDWARE (MASH).

FILE: \\jacobs.com\ANZ\IE\Projects\06_Central West\W247000\1\Deliverables\Drawings\4064_SHT_05_AMD_1DWG

TITLE BLOCK UPDATED	JACOBS	30/10/20			
No.	AMENDMENT DESCRIPTION	BY	CHECK	ACCEPTANCE	DATE

100 MILLIMETRES ON ORIGINAL A1 DRAWING ALL DIMENSIONS ARE IN MILLIMETRES UNLESS SHOWN OTHERWISE UNCONTROLLED COPY WHEN PRINTED

DESIGNED	QUALIFICATION	DATE	DD/MM/YYYY
REVIEWER	QUALIFICATION	DATE	DD/MM/YYYY
INDEPENDENT DESIGN CERTIFIER (IF REQUIRED)	QUALIFICATION	DATE	DD/MM/YYYY



STANDARD DRAWING			
920mm HIGH, TL4 ROAD CONCRETE BARRIER			
DESIGNED: H.J.	DRAFTED: H.J.	ACCEPTED FOR USE: P. MOLLOY	ACCEPTANCE FORM KNET No.: 15383260
CHECKED: P.M.	REVIEWED: P.M.	DATE: XX/4/2011	DRAWING No.: S - 4064
SHEET No.: 5		AMEND No.: 1	
LATITUDE:		LONGITUDE:	