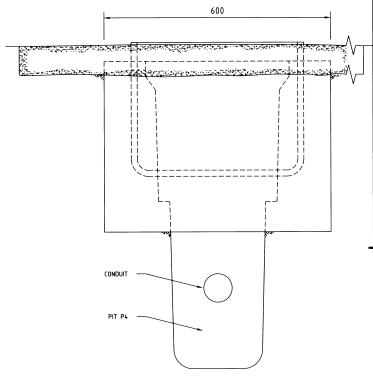
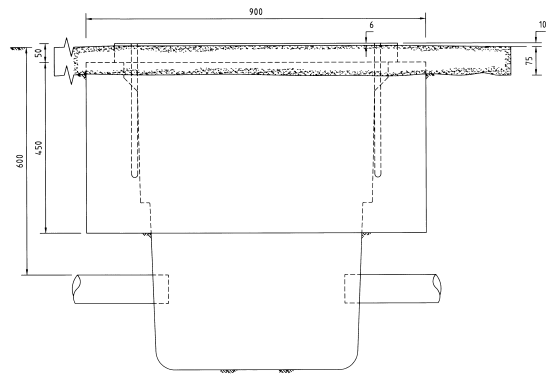
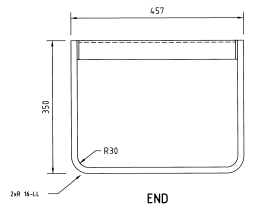
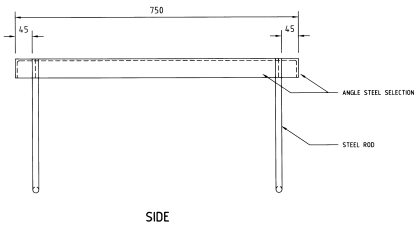
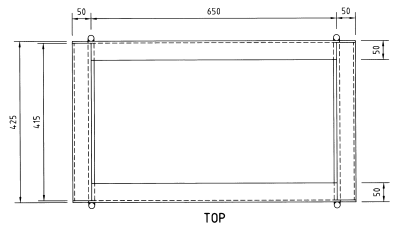


INSTALLATION DETAIL



SUPPORT FRAME DETAIL



NOTES:-

- 1) FRAME: SHOWN ANGLE STEEL SECTION COMPLETELY PELLET WELDED ON NOSE OF BUTT JOINT.
- 2) 10 BOLT M 8 DIA. STEEL ROD WELDED ON BOTH SIDES TO THE ANGLE IRON FRAME. EACH WELD TO BE 50MM LONG.
- 3) FINISH: HOT DIP GALVANIZED.
- 4) PIT: TYPE PL PLASTIC ELECTRICAL JUNCTION PIT (WPT OR SIMILAR).
- 5) DUCTS: ALL ELECTRICAL DUCTS TO PROTRUDE 75mm ABOVE PIT.
- 6) TELECOM DUCT TO BE CONTINUED TO THE END TERMINATION BOX ON THE SIDE OF THE SIGNAL CONTROLLER CABINET.
- 7) AIR FLOW TO DUCT SPECIFIC FOR NUMBER AND ORIENTATION OF DUCTS.

SUPersedes DRAWING NLS 4502 SHEETS 1 & 2

DESCRIPTION	NO.	DATE	RES/	APPROVED FOR E.D.	TCD AMENDS APPROVED FOR E.D.	TSA 27 DATE	TECH. DETAILS APPROVED FOR E.D.	CONSTRUCTED DATE
REDRAWN TO AUTOCAD, NOTE 6 ADDED	1	9/1/01	PHR	BJM/RB			P BLAKE 7/9/01	

SCALE 1:25 500 250 750 1000 1250 1500

100 MILLIMETRES ON ORIGINAL DRAWING

NO.	DATE	BY	CHKD	APPD	DESCRIPTION
1	10/1/01	PHR	BJM		DESIGN
2	10/1/01	PHR	BJM		DRAWN
3	10/1/01	PHR	BJM		CHECKED
4	10/1/01	PHR	BJM		CONSTRUCTED

DESIGN	B.J.D.
DRAWN	G. WOOLDRIDGE
CHECKED	G. WOOLDRIDGE
CONSTRUCTED	B.J.D.

TRANSPORT SA
STANDARD DRAWING
PAVEMENT MOUNTED CONTROLLER

BASE DETAILS

APPROVED	PROJECT START	PROJECT END
D. FITZSIMONS FOR EXECUTIVE DIRECTOR DATE: 24/2/02	PPP	PPP
PROJECT NO	SURVEY FILE	AMEND SHEET
		3
DRG		S-4512