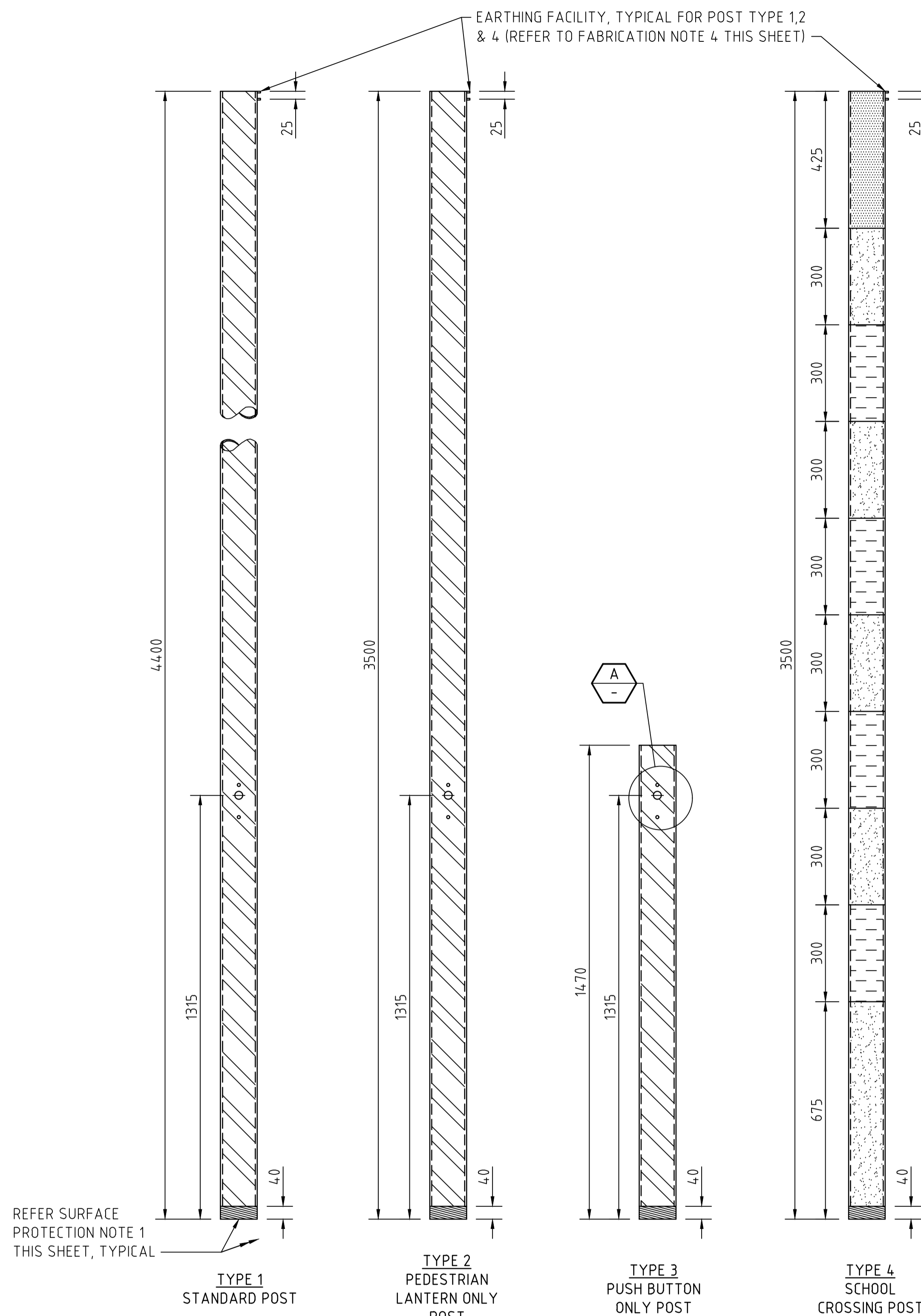
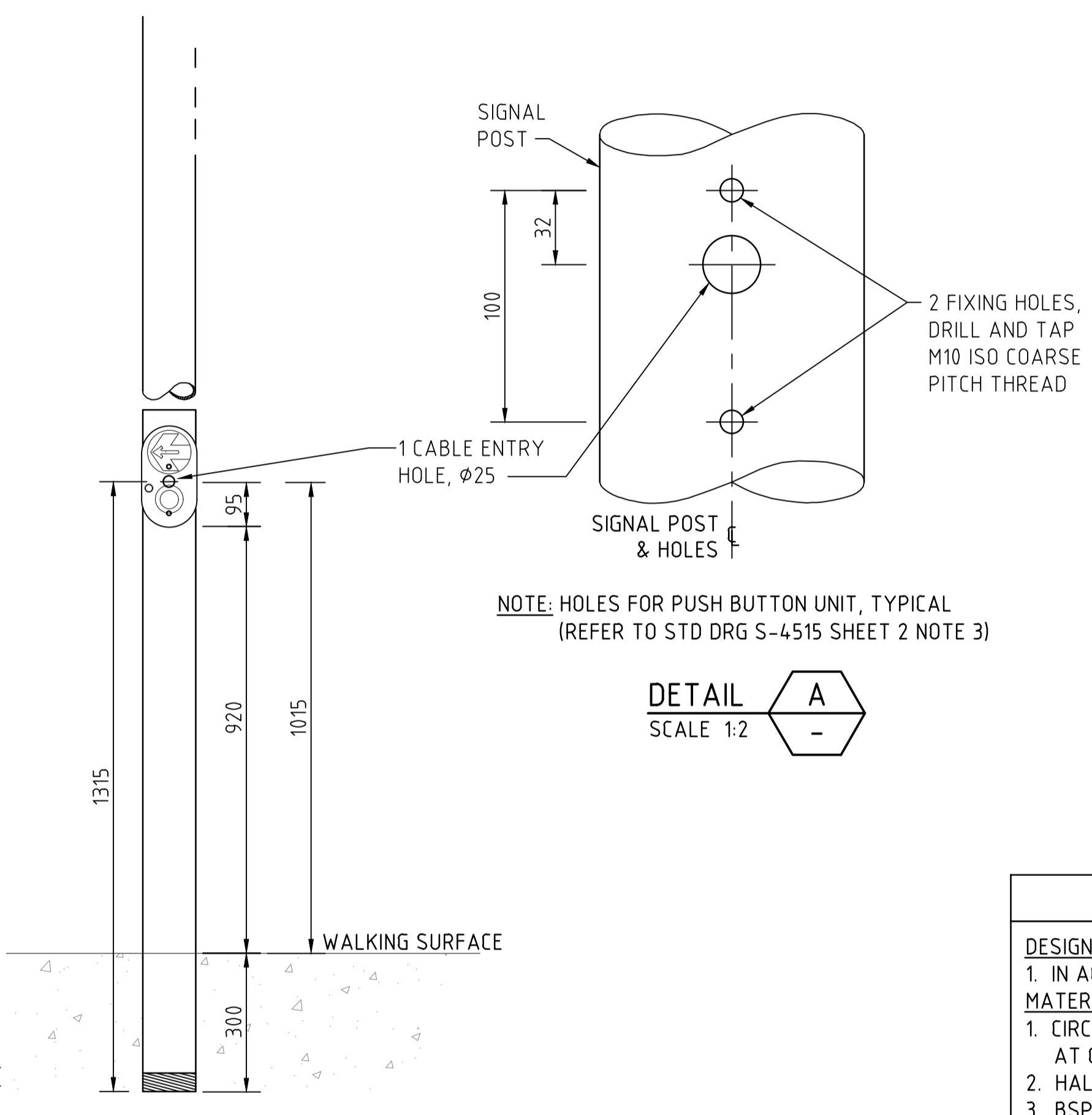


FILE: K:\acad\data\DWG-STANDARDS\S-4537 SIG POST & BASE PLATE\4537.dwg

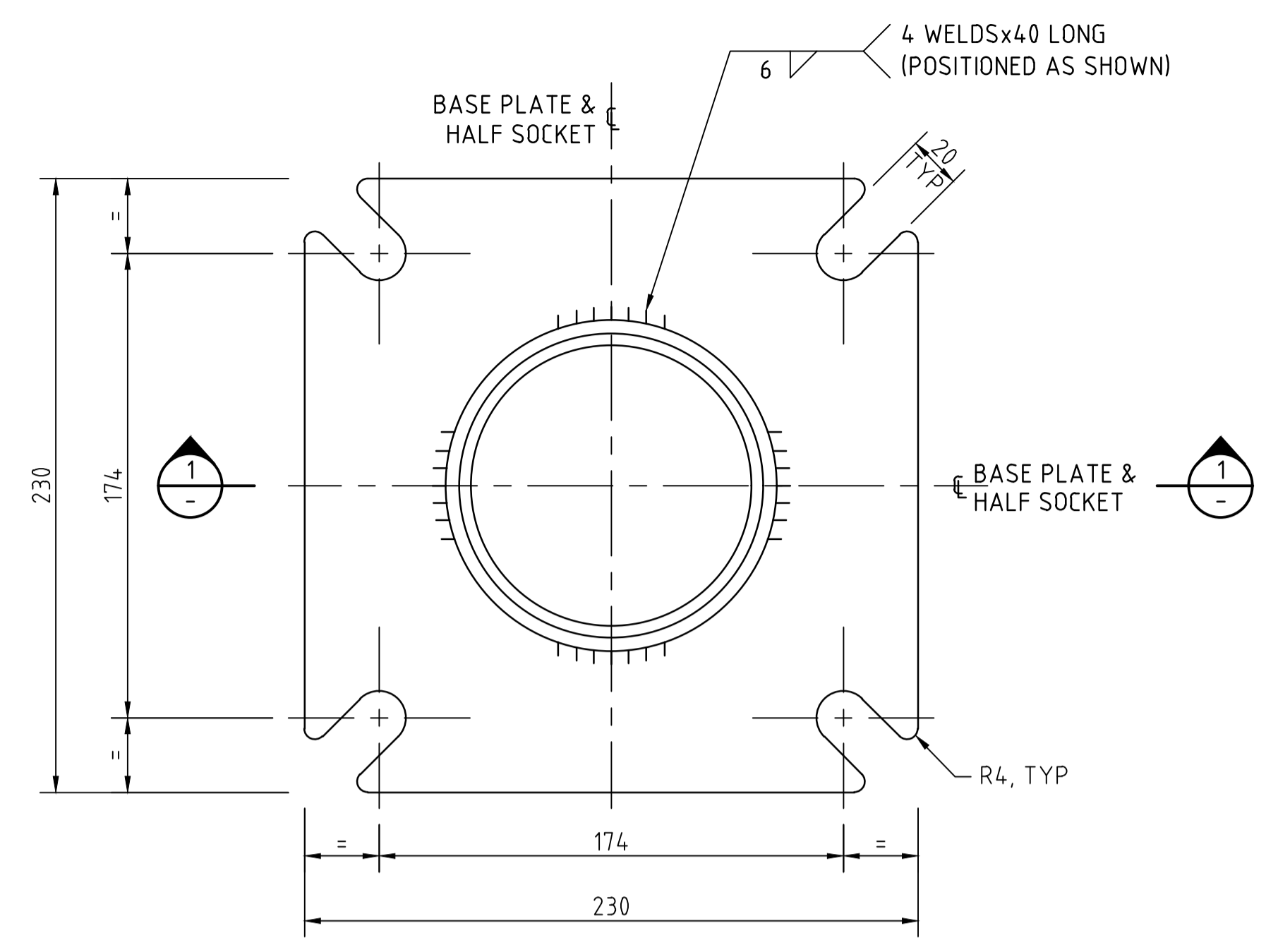


**SIGNAL POSTS (114.3x4.5 CHS GALV.)**  
SCALE 1:10

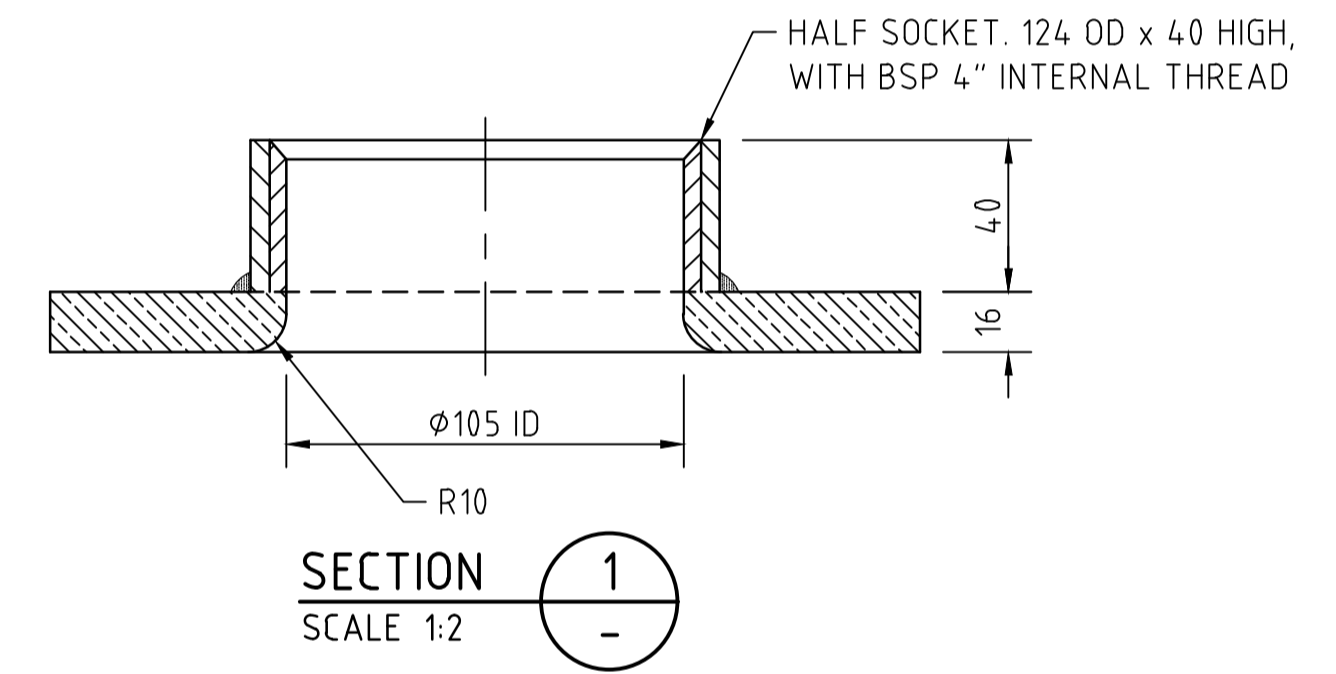
- LEGEND**
- EXTERIOR BLACK MATT
  - AS 27005 1985 - 'SIGNAL RED' R13 EXTERIOR PANEL
  - WHITE EXTERIOR ENAMEL
  - UNPAINTED GALVANIZED FINISH



**DETAIL A**  
SCALE 1:2



**BASE PLATE**  
SCALE 1:2



**SECTION 1**  
SCALE 1:2

**NOTES**

- DESIGN**
- IN ACCORDANCE WITH AS2339.
- MATERIALS**
- CIRCULAR HOLLOW SECTION (CHS) SHALL BE GRADE C250L0 OR C350L0 IN ACCORDANCE WITH AS 1163, WITH BSP 4" SCREW THREADS AT ONE END.
  - HALF SOCKET OD 124, HEIGHT 40, WITH BSP 4" SCREW THEAD, MIN YIELD STRESS OF 195MPa IN ACCORDANCE WITH AS 1074.
  - BSP 4" SCREW THREAD AT POST AND HALF SOCKET SHALL COMPLY WITH AS 1722.1.
  - BASE PLATE SHALL BE GRADE 250 IN ACCORDANCE WITH AS3678.
- FABRICATION**
- WELDING SHALL BE SP CATEGORY AND TO BE CARRIED OUT IN ACCORDANCE WITH AS/NZS 1554.1
  - ALL SHARP EDGES AND BURRS RESULTING FROM FABRICATION SHALL BE REMOVED BEFORE APPLYING SURFACE PROTECTION.
  - HOLES FOR PUSH BUTTON SHALL NOT BE DRILLED IF PUSH BUTTON IS NOT REQUIRED.
  - INSTALL EARTHING FACILITY IN ACCORDANCE WITH AS 2399 - RECESSED AND THREADED THROUGH POST COUNTERSUNK HEAD M6x40mm EARTHING SCREW WITH COARSE THREAD. THE EARTHING SCREW, NUTS AND WASHERS TO BE GRADE 316 STAINLESS STEEL AND SHALL COMPLY WITH AS2837.
- PAINTING**
- PAINTING OF TYPE 4 SIGNAL POST SHALL BE AS SHOWN ON THE DRAWING.
- SURFACE PROTECTION**
- CHS SIGNAL POLES SHALL BE GALVANIZED IN ACCORDANCE WITH AS 4792. 40mm LONG, BSP 4" SCREW THREAD AT THE BOTTOM END OF THE POST SHALL BE TAPPED AFTER THE POST HAS BEEN GALVANIZED.
  - THE WHOLE BASE PLATE INCLUDING WELDS AND OUTSIDE OF THE HALF SOCKET SHALL BE COATED OR SPRAYED WITH ZINGA HIGH SOLID, ZINC RICH PAINT OR SIMILAR APPROVED PRODUCT.

NOTE: FOR INSTALLATION DETAILS REFER TO STD DRG S-4515 SHEET 2.

SUPERSEDES DRG S-4537 SHEET 3

<p>Government of South Australia</p>		STANDARD DRAWING			
		TRAFFIC SIGNALS POST			
<p>Department of Planning, Transport and Infrastructure</p>		POST TYPES AND POST MOUNTING DETAILS			
		DESIGNED: BJD CHECKED: AP	DRAFTED: SA REVIEWED: PM	ACCEPTED FOR USE: PHIL MOLLOY MANAGER, ENG. SERVICES DATE: 13/7/16	ACCEPTANCE FORM KNET No.: 9745900
		SHEET No.: 6		AMEND No.: 1	
		LATITUDE: N/A		LONGITUDE: N/A	

No.	AMENDMENT DESCRIPTION	BY	CHECK	ACCEPTANCE	DATE
1	PUSH BUTTON HEIGHT DETAILS ADDED	LM	DUDZ	P STRATTON	29.6.20