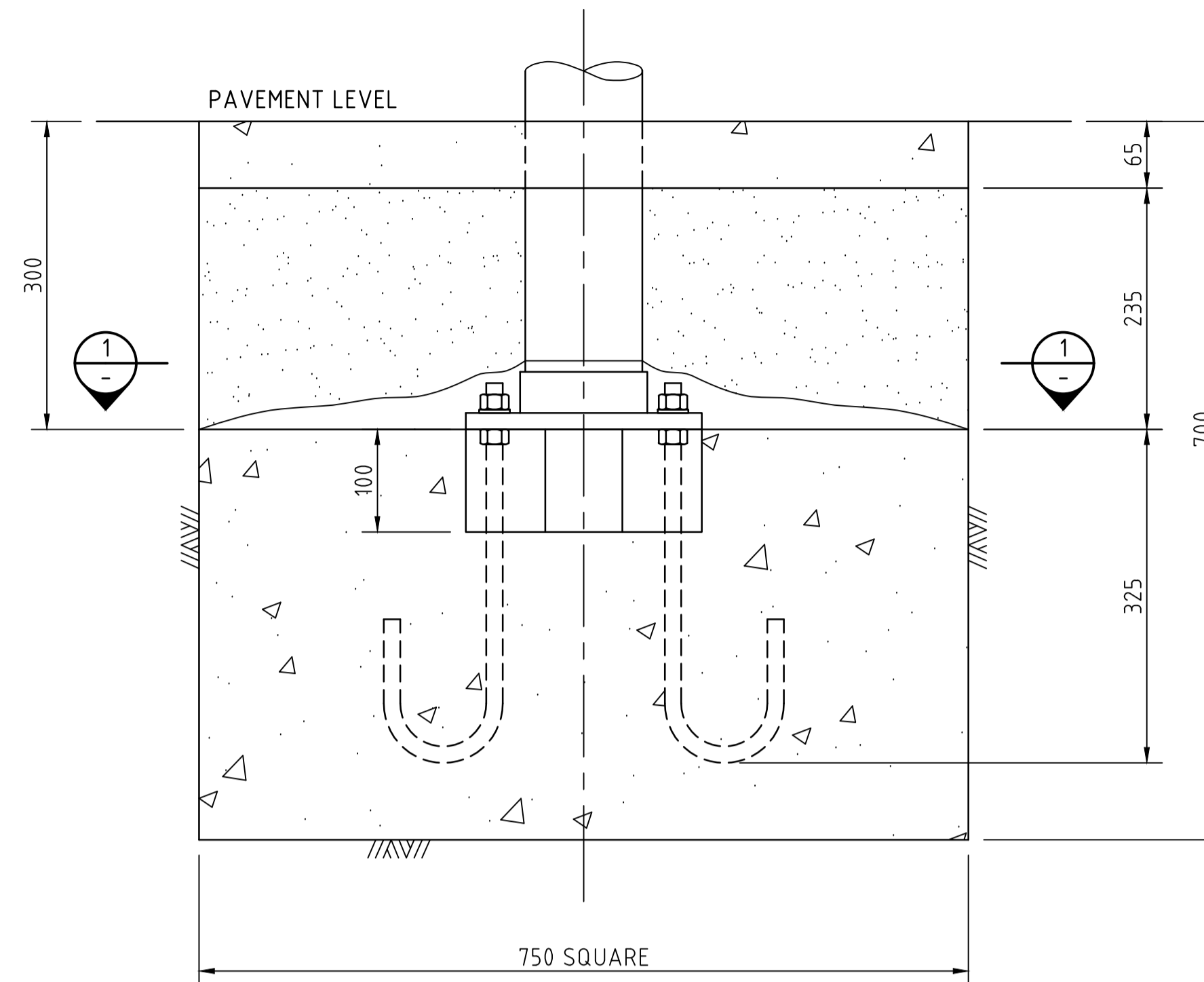
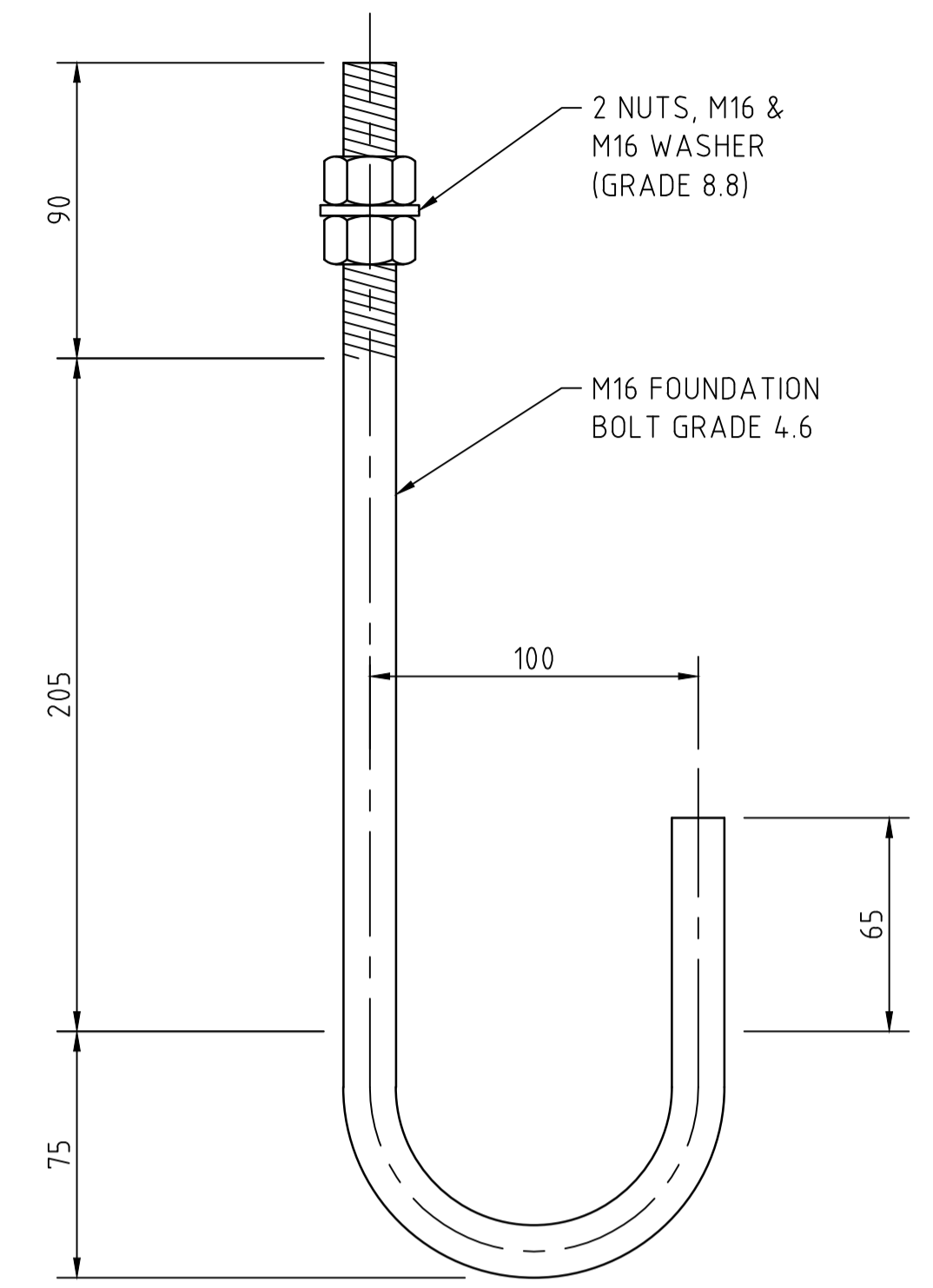


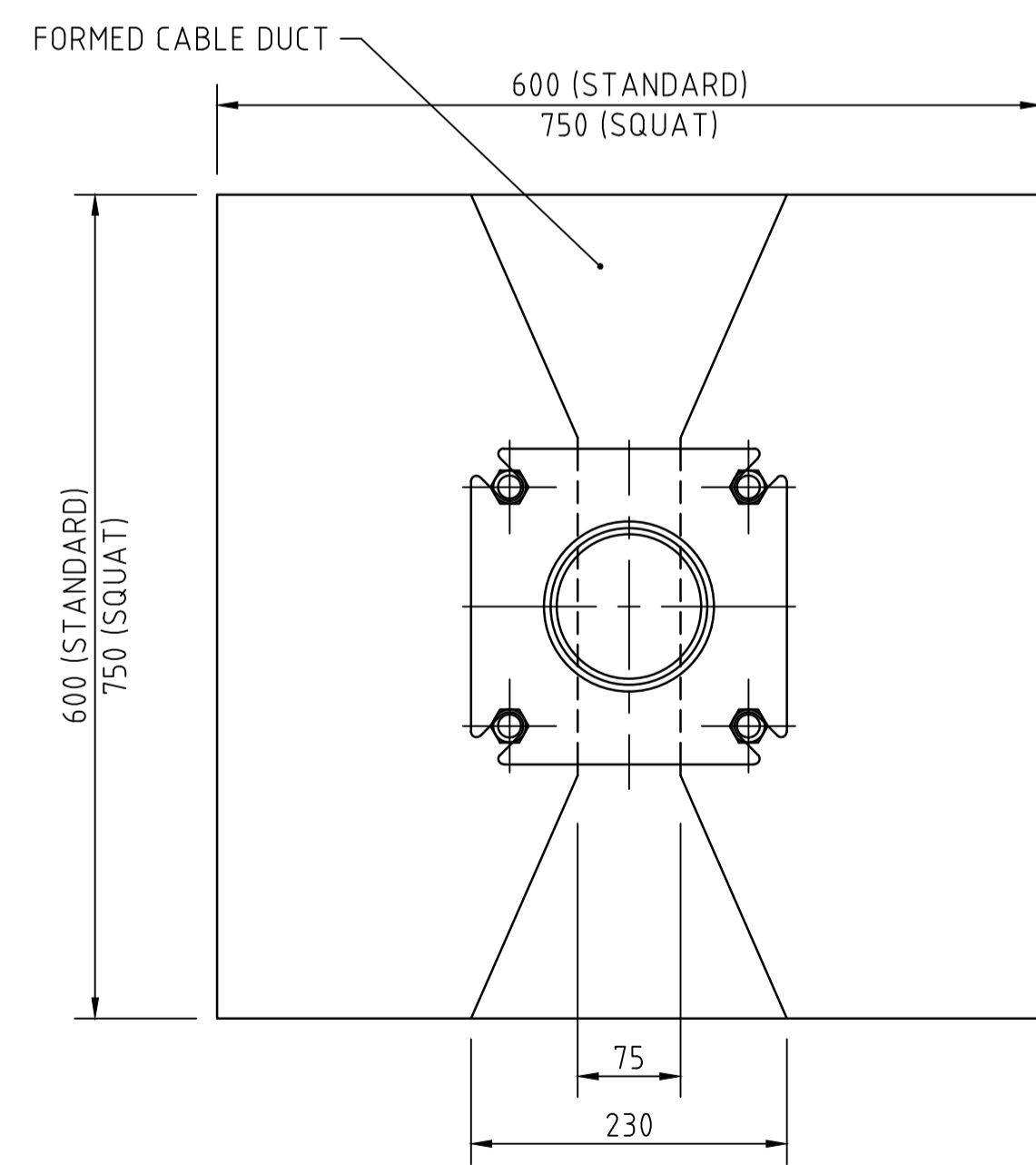
STANDARD BASE
SCALE 1:5



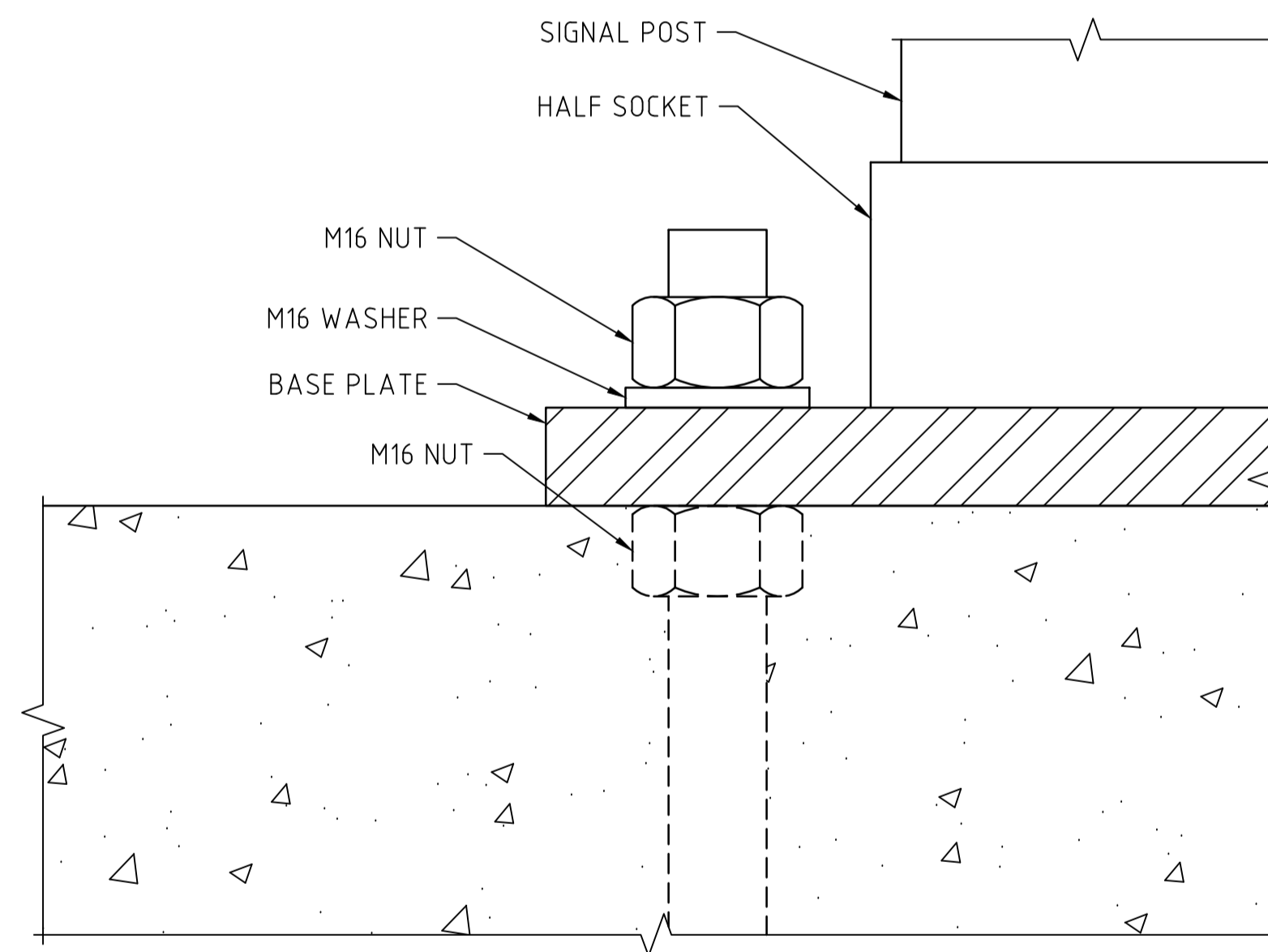
SQUAT BASE
SCALE 1:5



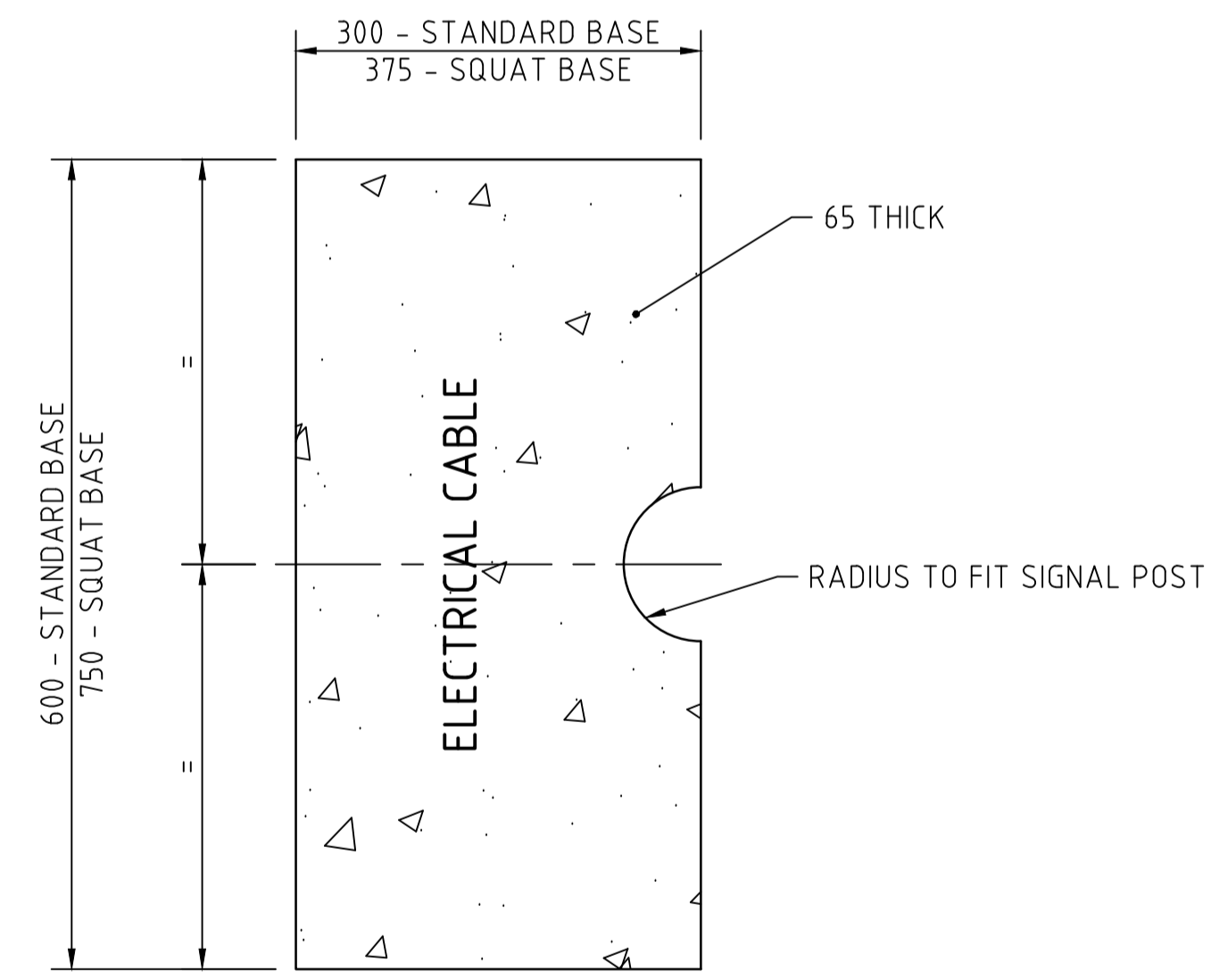
FOUNDATION BOLT
SCALE 1:2



SECTION 1
SCALE 1:5



DETAIL B
SCALE 1:1



2 REQUIRED
PRECAST CONCRETE COVER SLAB
SCALE 1:5

NOTE: FOR COMPONENT DETAILS REFER TO STD DRG S-4537 SHEET 6

- NOTES**
- MATERIALS**
- CONCRETE FOR POLE BASE SHALL BE GRADE N25.
 - PRECAST COVER SLABS SHALL BE MADE OF CONCRETE GRADE N25. THE SLABS ARE TO BE EITHER REINFORCED WITH LIGHT STEEL MESH SL81 OR SIMILAR APPROVED, ALTERNATIVELY USE POLYPROPYLENE FIBRE AT A RATE OF 5KG/M³ OF CONCRETE.
 - FOUNDATION BOLT SHALL BE GRADE 4.6 IN ACCORDANCE WITH AS 1111. ALL SHARP EDGES AND BURRS RESULTING FROM FABRICATION TO BE REMOVED BEFORE GALVANIZING.
 - NUTS AND WASHERS SHALL BE GRADE 8.8 IN ACCORDANCE WITH AS1252. ALL NUTS TO BE TAPPED OVERSIZE TO ACCOMMODATE GALVANIZING.
- INSTALLATION**
- POSITION THE FOUNDATION BOLTS AND CABLE DUCT MOULD ASSEMBLY BEFORE CASTING THE CONCRETE BASE.
 - INSTALL THE BASE PLATE WITH HALF SOCKET.
 - APPLY MOLYBOND CORROSION INHIBITOR/LUBRICANT TO THE THREADS OF THE POST AND THE SOCKET AND SCREW IN THE POST.
 - ENSURE THE POLE IS VERTICAL. ADJUST USING METAL SHIMS.
 - COMPACT SOIL AROUND THE BASE.
 - INSTALL BLACK PVC SHEET OVER THE BASE PLATE AND SOCKET TO PREVENT CONTACT WITH BACK FILL.
 - BACKFILL THE HOLE WITH SAND AND LIGHTLY COMPACT. INSTALL COVER SLABS AND COMPACT AROUND THEM.
- SURFACE PROTECTION**
- FOUNDATION BOLTS, NUTS AND WASHERS SHALL BE HOT DIP GALVANIZED IN ACCORDANCE WITH AS 1214 (BOLTS AND NUTS) AND AS/NZS 4680 (WASHERS).
 - AFTER INSTALLATION OF THE POST, APPLY MOLYBOND AROUND THE TOP OF THE HALF SOCKET TO PROTECT THREADS AGAINST CORROSION.

SUPERSEDES DRG S-4515 SHEET 1

Government of South Australia
Department of Planning, Transport and Infrastructure

STANDARD DRAWING
TRAFFIC SIGNALS POST
△ POST FOOTING AND INSTALLATION

DESIGNED: BJD	DRAFTED: SA	ACCEPTED FOR USE: PHIL MOLLOY	ACCEPTANCE FORM KNET No.: 9745890	DRAWING No.: S-4515	SHEET No.: 2	AMEND No.: 1
CHECKED: AP	REVIEWED: PM	MANAGER, ENG. SERVICES DATE: 13/7/16		LATITUDE: N/A	LONGITUDE: N/A	

FILE: V:\Approved Drawings_For_Submission\4515\4515 Sheet 0002-AMD 1.dwg

TITLE CHANGED	SA	PM	PHIL MOLLOY	2/9/16	
No.	AMENDMENT DESCRIPTION	BY	CHECK	ACCEPTANCE	DATE

2/09/2016 5:54:56 PM 100 MILLIMETRES ON ORIGINAL A1 DRAWING ALL DIMENSIONS ARE IN MILLIMETRES UNLESS SHOWN OTHERWISE UNCONTROLLED COPY WHEN PRINTED