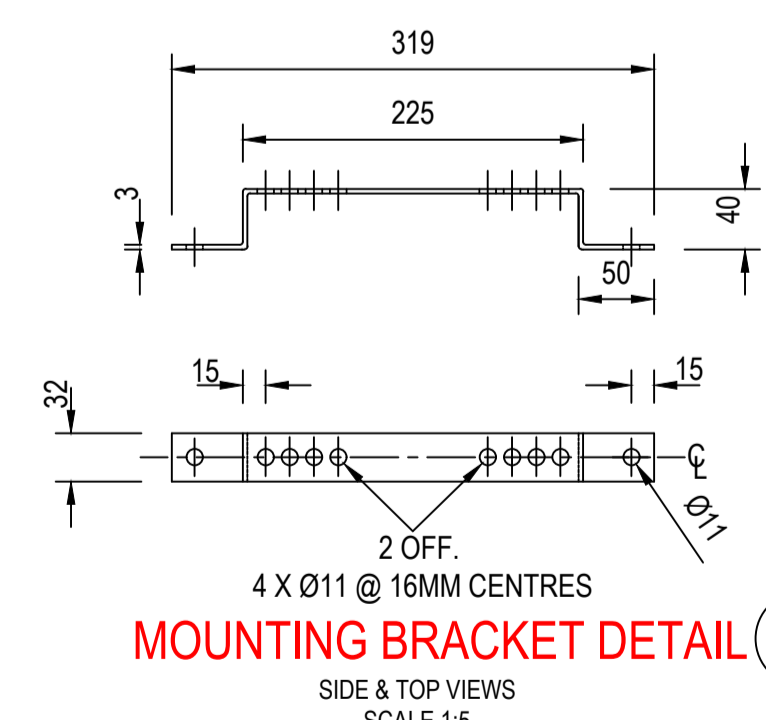
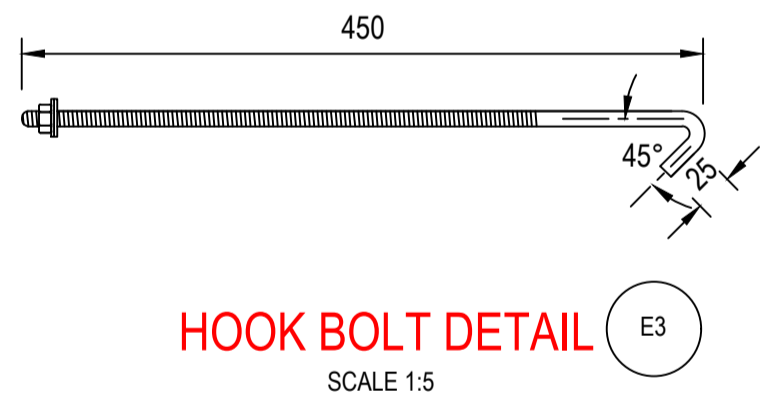
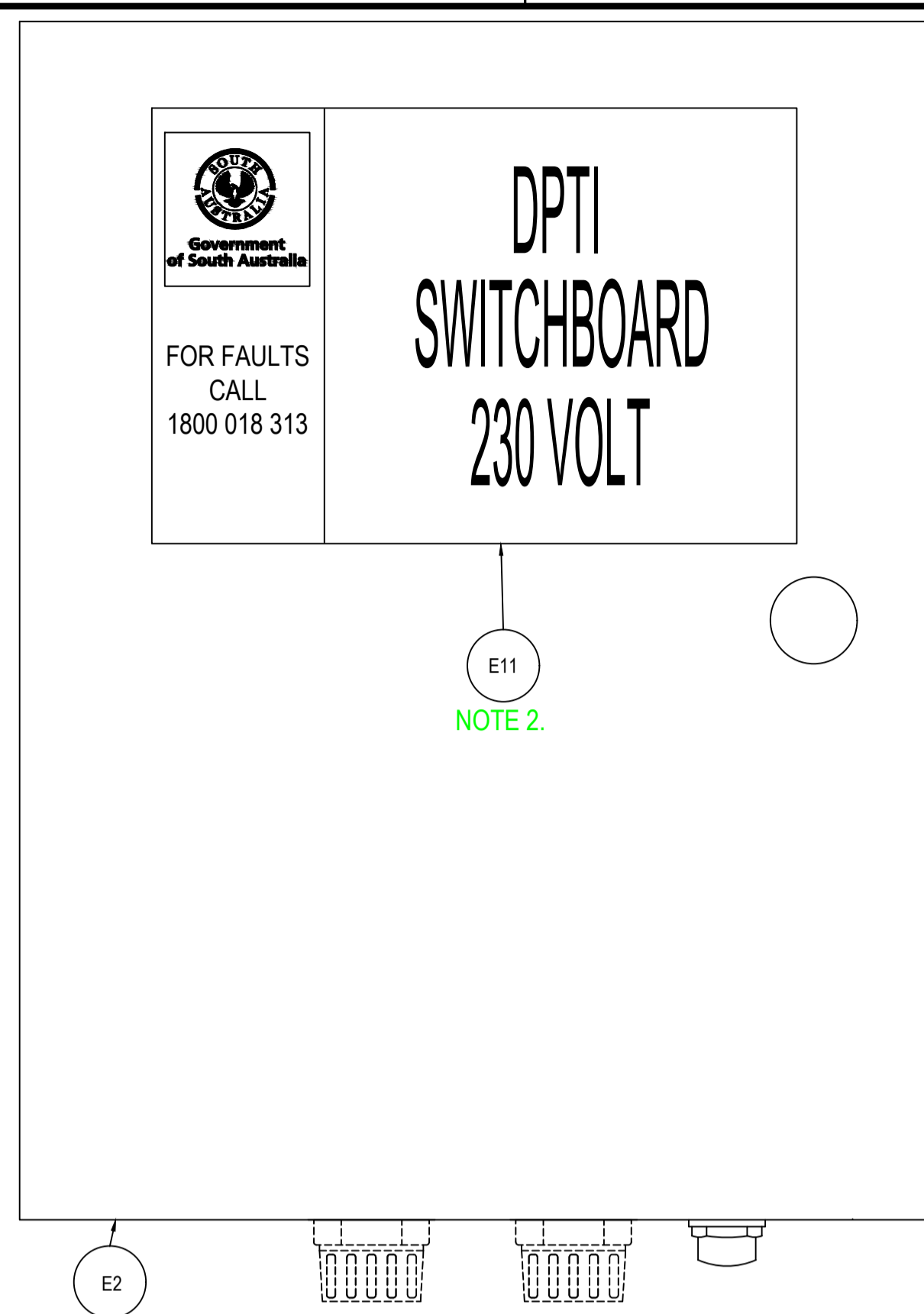


STOBIE POLE MOUNTING DETAILS
N.T.S.

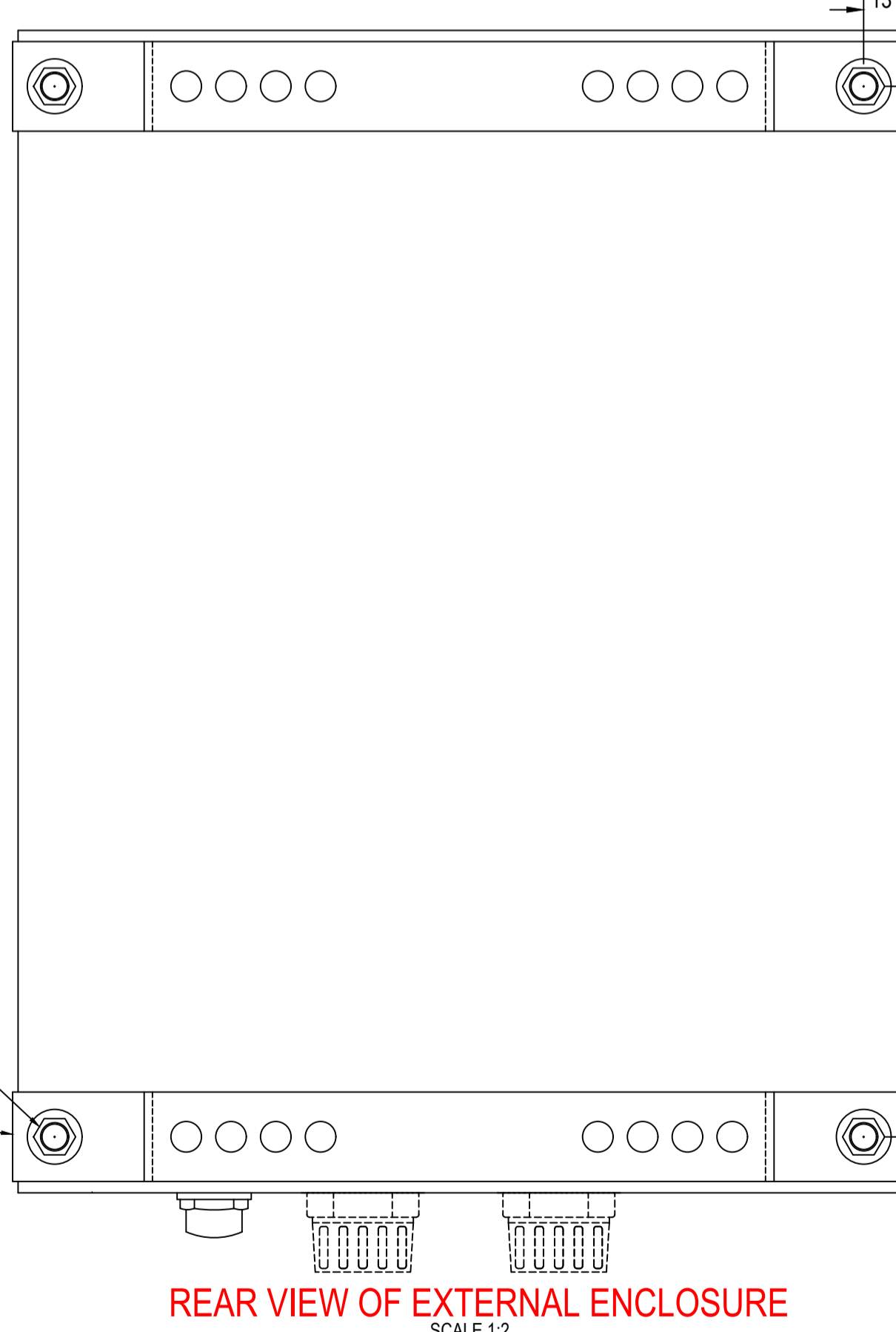


HOOK BOLT DETAIL
SCALE 1:5

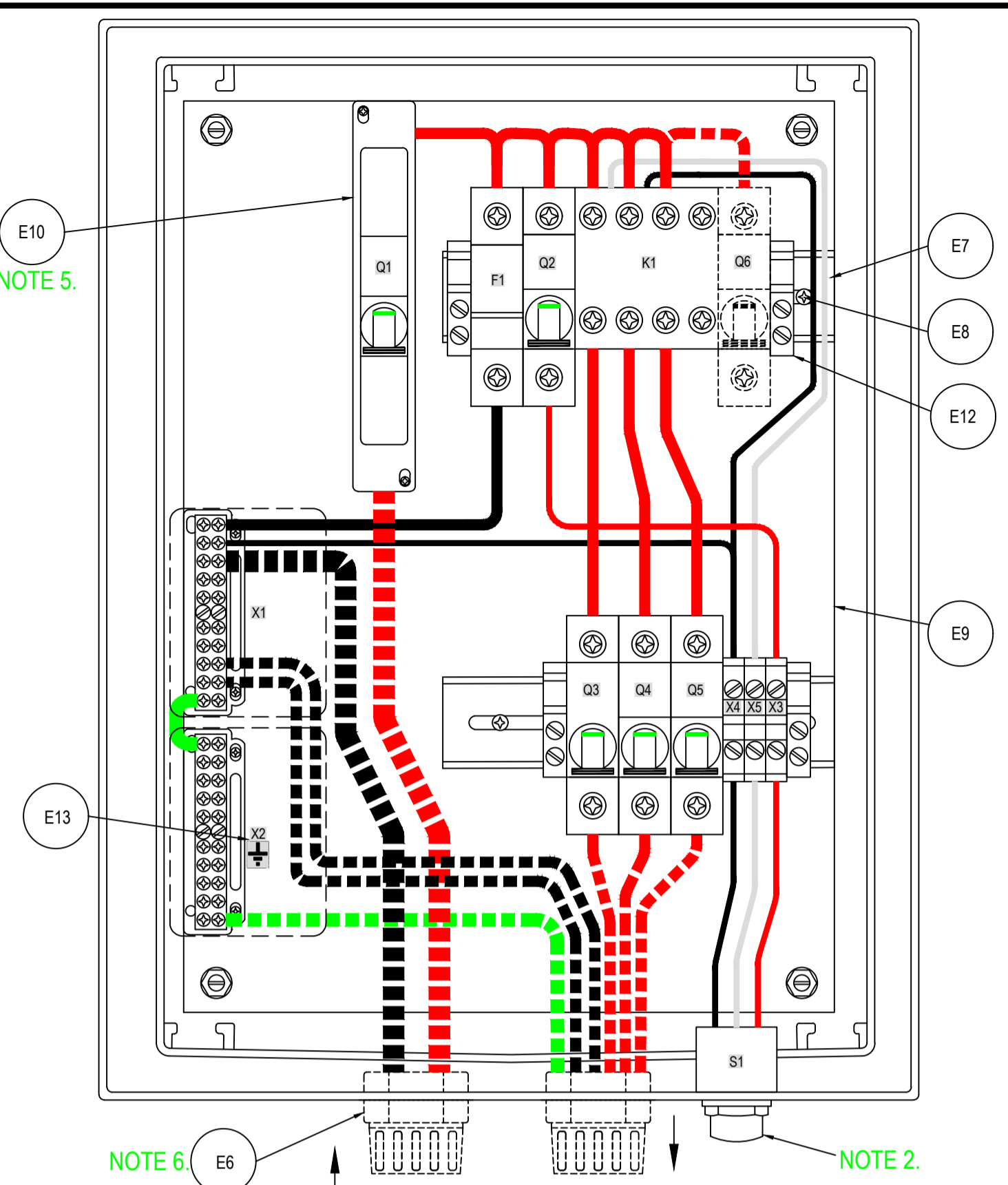
MOUNTING BRACKET DETAIL
SCALE 1:5



FRONT VIEW OF EXTERNAL ENCLOSURE
SCALE 1:2

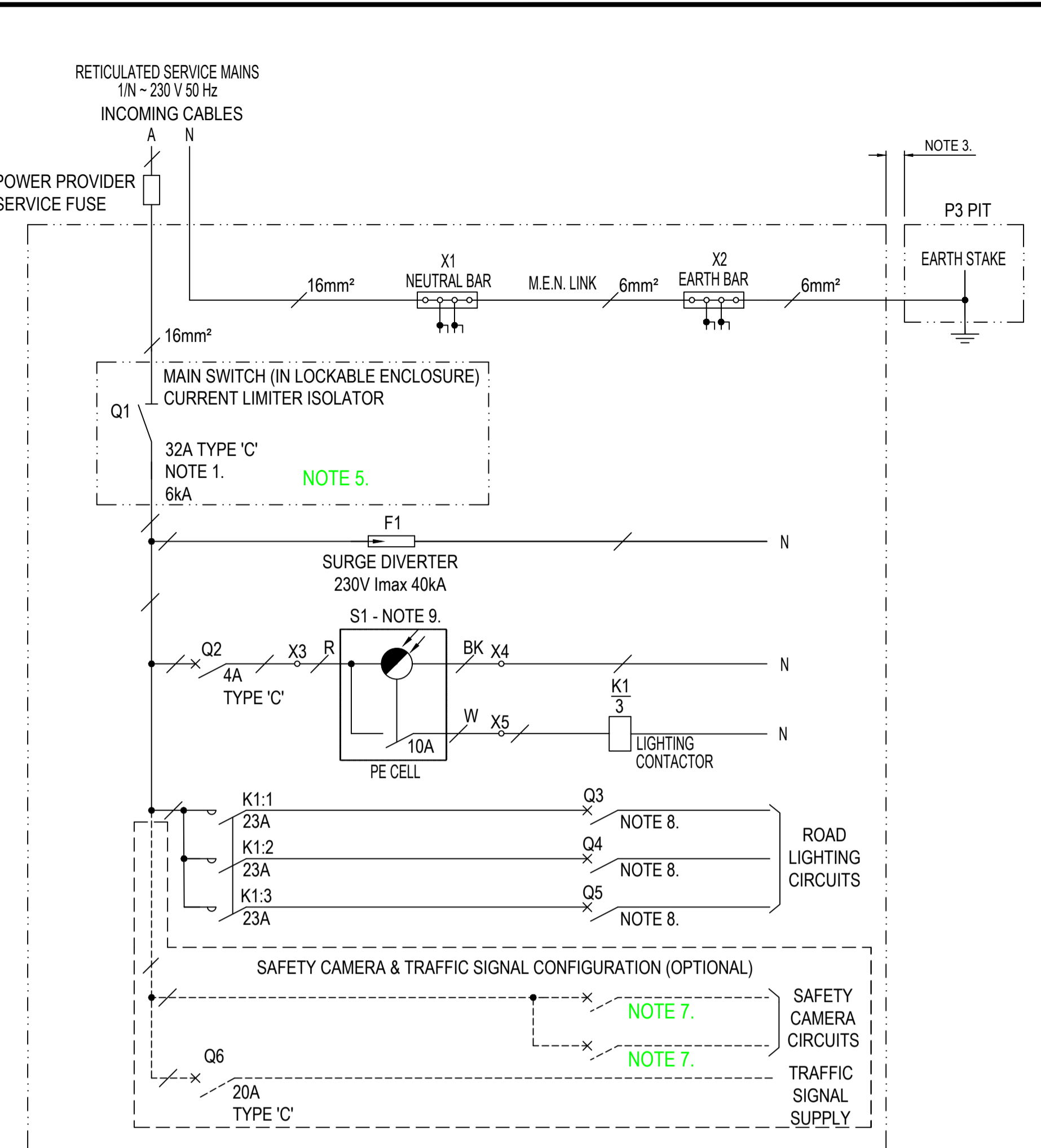


REAR VIEW OF EXTERNAL ENCLOSURE
SCALE 1:2



FRONT VIEW WITH EXTERNAL ENCLOSURE OPEN
(ROAD LIGHTING CONFIGURATION LAYOUT SHOWN)
DASHED WIRING DENOTES CONNECTIONS AT INSTALLATION LOCATION.
SCALE 1:2

- NOTE:**
1. ALL CIRCUIT BREAKERS ARE TYPE 'C' UNLESS PROJECT SPECIFIES DIFFERENT. FAULT RATINGS TO BE 6KA UNLESS STOBIE MOUNTED SWITCHBOARD IS WITHIN 50 METRES OF A RETICULATED MAINS TRANSFORMER THEN IT SHALL BE 10KA.
 2. EXTERNAL LABELLING AND PE CELL IS FOR ROAD LIGHTING CONFIGURATION ONLY. OPTIONAL SAFETY CAMERA & TRAFFIC SIGNAL CONFIGURATION IS NOT REQUIRED IN A STANDARD INSTALLATION.
 3. EARTH PIT LOCATED 3.5 TO 4.0M FROM THE STOBIE POLE. (SAPN REQUIREMENT)
 4. PIPE INSTALLATION DETAILS, EARTH BONDING AND CONDUIT DETAILS. REFER TO S-4516 SHEET 1
 5. LOCKABLE ENCLOSURE (SAPN SECURITY SEAL) (SAPN SERVICE AND INSTALLATION RULES CLAUSE 4.8)
 6. ITEMS E1 & E6 (CONDUIT GLANDS), HOLES AND LOCATIONS TO BE DETERMINED ON SITE, AT INSTALLATION.
 7. SAFETY CAMERA CONFIGURATION, FOR THE CIRCUIT BREAKERS RATING AND CLASS TYPE TO SUIT REQUIREMENTS ON SITE, REFER TO COMPONENT SCHEDULE.
 8. FOR ROAD LIGHTING CONFIGURATION, FOR CIRCUIT BREAKER RATING AND CLASS TYPE, REFER TO COMPONENT SCHEDULE.
 9. COMPONENT S1 TO BE USED ONLY WHEN SWITCHBOARD FEEDS ROAD LIGHTING CONFIGURATION.



SINGLE PHASE - SWITCHBOARD SINGLE LINE DIAGRAM
NOTE 1.

EQUIPMENT SCHEDULE
(EQUIPMENT ITEMS CAN BE SUBSTITUTED WITH AN EQUIVALENT - WHERE APPROVED BY THE PRINCIPAL)

REF.	ITEM DESCRIPTION	MANUFACTURER	QTY.	ITEM No.
E1	CONDUIT - CORRUGATED - PVC-BLACK- 32MM	CLIPSAL	A.R.	9032CHF (NOTE 6.)
E2	CABINET 415x315x170MM - GREY POLYESTER IP66 WITH LOCK	FIBOX	1	CAB P 403017 OR SIMILAR
E3	HOOK BOLT - MILD STEEL - Ø10MM. M10 NUT & 2 FLAT WASHERS.	UNSPECIFIED	4	ALL TO BE GALVANISED
E4	MOUNTING BRACKET - ADJUSTABLE. FOR STOBIE HOOK BOLTS	UNSPECIFIED	2	
E5	BOLT & NUT M10 X 30MM	UNSPECIFIED	4	
E6	GLAND FOR CONDUIT - BLACK - UV STABILISED - Ø32MM	NYLEX	2	(NOTE 6.)
E7	DIN RAIL 35MM X 150MM	UNSPECIFIED	2	
E8	SCREW CHEESE HEAD (SELF TAPPING?) M4	UNSPECIFIED	4	
E9	PVC SHEET 350x250x6MM	UNSPECIFIED	1	
E10	ENCLOSURE - SURFACE MOUNTING IC2 (NOTE 5)	HAGER	1	VD101NT
E11	LABEL - ROAD IDENTIFICATION DPTI	UNSPECIFIED	1	
E12	END CLAMP FOR 35MM DIN RAIL	UNSPECIFIED	4	
E13	VARIOUS LABELS AS REQUIRED FOR ITEMS AND EARTH DESIGNATION	UNSPECIFIED	A.R.	

A.R. = AS REQUIRED.

COMPONENT SCHEDULE
(COMPONENTS CAN BE SUBSTITUTED WITH AN EQUIVALENT - WHERE APPROVED BY THE PRINCIPAL)

REF.	ITEM DESCRIPTION	MANUFACTURER	QTY.	ITEM No.
F1	SURGE PROTECTION 1P 275V 50Hz - 40kA max PLUGGABLE.	HAGER	1	SPN140D
S1	MINIATURE PHOTOCELL 220-270V~/50Hz 10A IP65. SET 20Lux On/Off - NOTE 9.	ROYCE THOMPSON	1	MICROSTAR 2000
X1,X2	NEUTRAL LINK (WITH COVER) STANDARD 10 HOLE 500V / 100A	CLIPSAL	2	L10
X3,X4,X5	TERMINAL BLOCK - PASSTHROUGH 1X1 FOR 35MM DIN RAIL	SCHNEIDER	3	NSYTRV62
K1	CONTACTOR BREAKER 3P 23A	SPRECHER SCHUH	1	CA7-23-10-277
Q1	MINIATURE CIRCUIT BREAKER 1P 32A TYPE 'C' - NOTE 1.	SCHNEIDER	1	A9F54132 6KA (IC60N) / 10KA (IC60H)
Q2	CCT. BKR. 1P 4A TYPE 'C' - NOTE 1.	SCHNEIDER	1	A9F54104 6KA (IC60N) / 10KA (IC60H)
Q3,Q4,Q5	CCT. BKR. 1P 10A TYPE 'C' - NOTE 8.	SCHNEIDER	3	A9F54110 6KA (IC60N) / 10KA (IC60H)
Q3,Q4,Q5	CCT. BKR. 1P 16A TYPE 'C' - NOTE 7.	SCHNEIDER	2	A9F54116 6KA (IC60N) / 10KA (IC60H)
Q6	CCT. BKR. 1P 20A TYPE 'C' - NOTE 1.	SCHNEIDER	1	A9F54120 6KA (IC60N) / 10KA (IC60H)

No.	AMENDMENT DESCRIPTION	BY	CHECK	ACCEPTANCE	DATE
3	BOLT & MTG. BKT. NEW ENCLOSURE ADDED. NOTE 1, MULTIPLE CHANGES. NOTE 8 & 9 ADDED. CONFIGURATION SCHEDULE UPDATED.	SJK/SA	JB	YANYAN XIAO	14/2/20
2	Q2 ADDED TO ROAD LIGHTING. 1 LOAD BREAKER REMOVED FROM BOTH VARIATIONS.	SJK	GG	B. ZANG	21.01.15
1	Q2-Q4 VARIATIONS ADDED. Q5 WAS 6KA. Q2-Q5 ITEM NUMBERS UPDATED.	SJK	GG	B. ZANG	31.10.14

UNCONTROLLED COPY WHEN PRINTED

100 MILLIMETRES ON ORIGINAL DRAWING

ALL DIMENSIONS ARE IN MM UNLESS SHOWN OTHERWISE

Government of South Australia
Department of Planning, Transport and Infrastructure

PROJECT No.: XXXXX
DESIGN No.: 201300588
PROJECT START ROAD RUNNING DISTANCE: N/A
PROJECT END ROAD RUNNING DISTANCE: N/A

FILE No.: XXXXX
SURVEY No.: -

SCALES: AS SHOWN

STANDARD DRAWING ELECTRICAL ASSETS
ELECTRICAL SERVICES - LIGHTING, SIGNALS, SAFETY CAMERA
STOBIE POLE MOUNTED SINGLE PHASE SWITCHBOARD
GENERAL ASSEMBLY AND LINE DIAGRAM

DESIGNED: SJK
CHECKED: GG

DRAFTED: SJK
CHECKED: GG

ACCEPTED FOR USE: J. LANE
TITLE: MANAGER P & D
DATE: 12.02.2014

ACCEPTANCE FORM KNET No.: 8331970
DRAWING No.: S-4055
SHEET No.: 55
AMEND No.: 3

IN ACCORDANCE WITH DP013 SHEET LATITUDE N/A
SHEET LONGITUDE N/A

CAD FILE NAME: 4055 SHEET 1055-AND 3.DWG