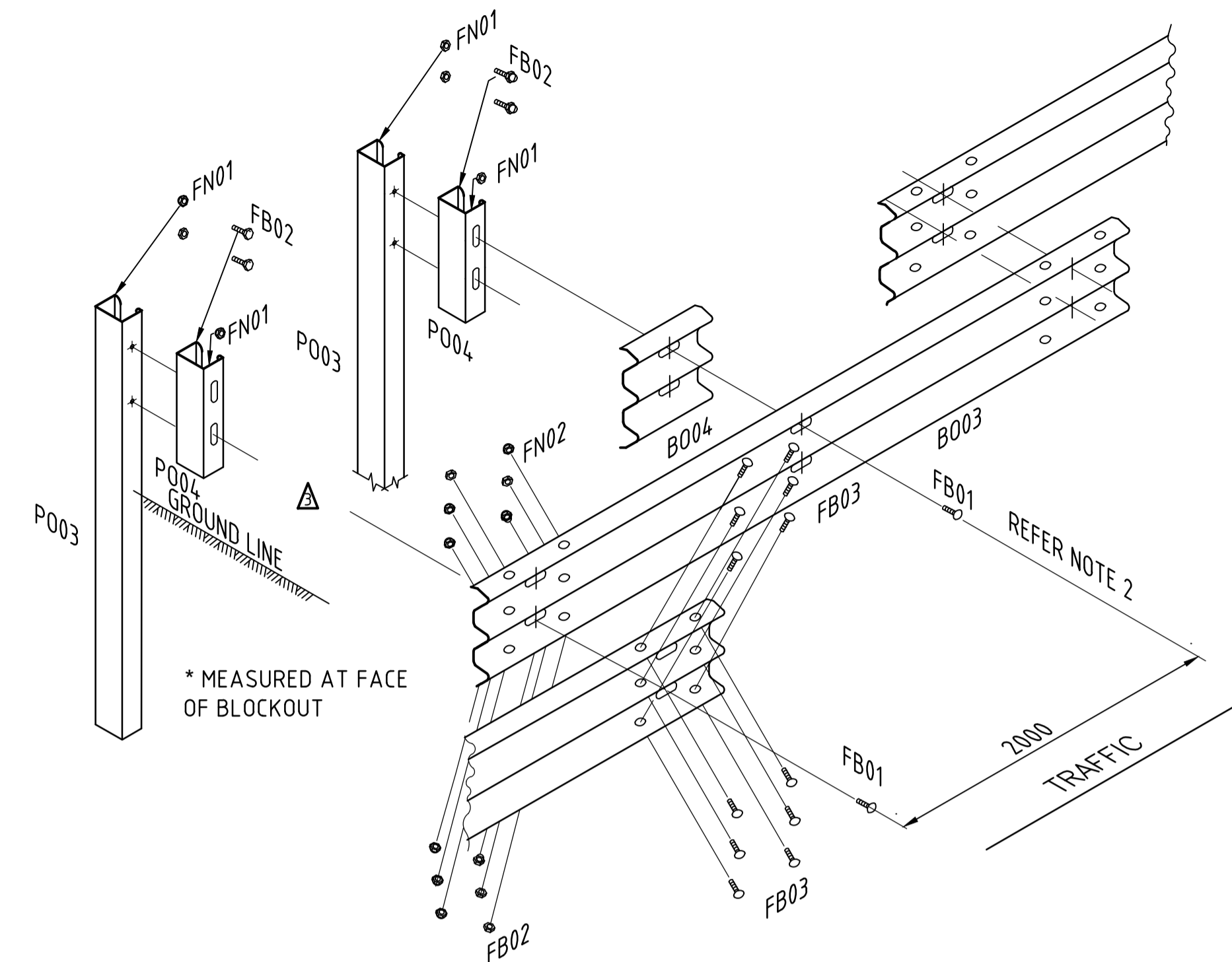


W BEAM ASSEMBLY  
SCALE NTS

SCHEDULE OF COMPONENTS / 4m RAIL LENGTH

ITEM NO	DESCRIPTION	QTY
P001	1800 STEEL POST FOR W BEAM	2
P002	360 BLOCKOUT	1/POST
B001	4000 W BEAM RAIL	1
B002	300 W BEAM STIFFENING PIECE	1
FB01	M16x50 MUSHROOM HEAD BOLT	1/POST
FB02	M16x30 HEXAGON BOLT	2/POST
FB03	M16x32 MUSHROOM HEAD BOLT	8/SPLICE
FN01	M16 NUT	3/POST
FN02	M16 OVERSIZED NUT (18 DEEP)	8/SPLICE



STANDARD THRIE BEAM ASSEMBLY  
SCALE NTS

SCHEDULE OF COMPONENTS / 4m RAIL LENGTH

ITEM NO	DESCRIPTION	QTY
P003	2100 STEEL POST FOR THRIE BEAM	2
P004	550 BLOCKOUT FOR THRIE BEAM	1/POST
B003	4000 THRIE BEAM RAIL	1
B004	300 THRIE BEAM STIFFENING	1/RAIL
FB01	M16x50 MUSHROOM HEAD BOLT	2/POST
FB02	M16x30 HEXAGON BOLT	4/POST
FB03	M16x32 MUSHROOM HEAD BOLT	12/SPLICE
FN01	M16 NUT	3/POST
FN02	M16 OVERSIZED NUT (18 DEEP)	12/SPLICE

NOTES

GENERAL

- RAIL LAPS, POST AND BLOCKOUT ORIENTATION IN RELATION TO TRAFFIC DIRECTION AS SHOWN IS ESSENTIAL - REFER TO SHEET 36.
- THRIE BEAM BOLTS FB01 TO BE ALTERNATED BETWEEN TOP AND BOTTOM HOLES TO PREVENT RAIL TWISTING.

▲ SUPERSEDES DRG S-4050 SHEETS 29-35

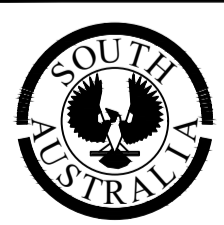
FILE: \\jacobs.com\ANZ\VE\Projects\06\_Central West\W2L7000\Z1 Deliverables\Drawings\4050\_SHT\_42\_AMD\_3.dwg

No.	AMENDMENT DESCRIPTION	BY	CHECK	ACCEPTANCE	DATE
1	TITLE BLOCK UPDATE AND DETAIL REMOVED	JACOBS			30/10/20
2	IDENTIFIER ADDED	AP	PD	G W CHAPLIN	4/8/05
3	SUPERSEDE NOTE ADDED	AP	PD	G W CHAPLIN	27/6/05

100 MILLIMETRES ON ORIGINAL A1 DRAWING

ALL DIMENSIONS ARE IN MILLIMETRES UNLESS SHOWN OTHERWISE

DESIGNED	
QUALIFICATION	
DATE:	DD/MM/YYYY
REVIEWER	
QUALIFICATION	
DATE:	DD/MM/YYYY
INDEPENDENT DESIGN CERTIFIER (IF REQUIRED)	
QUALIFICATION	
DATE:	DD/MM/YYYY

  
**Government of South Australia**  
 Department for Infrastructure and Transport

DESIGNED: A.P.		DRAFTED: DIT		ACCEPTED FOR USE: G.W. CHAPLIN		ACCEPTANCE FORM KNET No.:		DRAWING No.:		SHEET No.:		AMEND No.:	
CHECKED: A.P.		REVIEWED: A.N.		DATE: 06/08/2004				S - 4050		42		3	
								LATITUDE:		LONGITUDE:			